

High Resolution Digital Imaging Lens



Description

The DSL934 is a multi-element glass lens optimized for 3-5MP imagers with up to 1/1.8" format size. The compact size and all-glass all-metal construction make this lens ideal for applications requiring high resolution and temperature stability such as discreet outdoor security cameras.

Key Features

- Compact form factor
- All-glass construction optimizes thermal stability

Optical Specifications

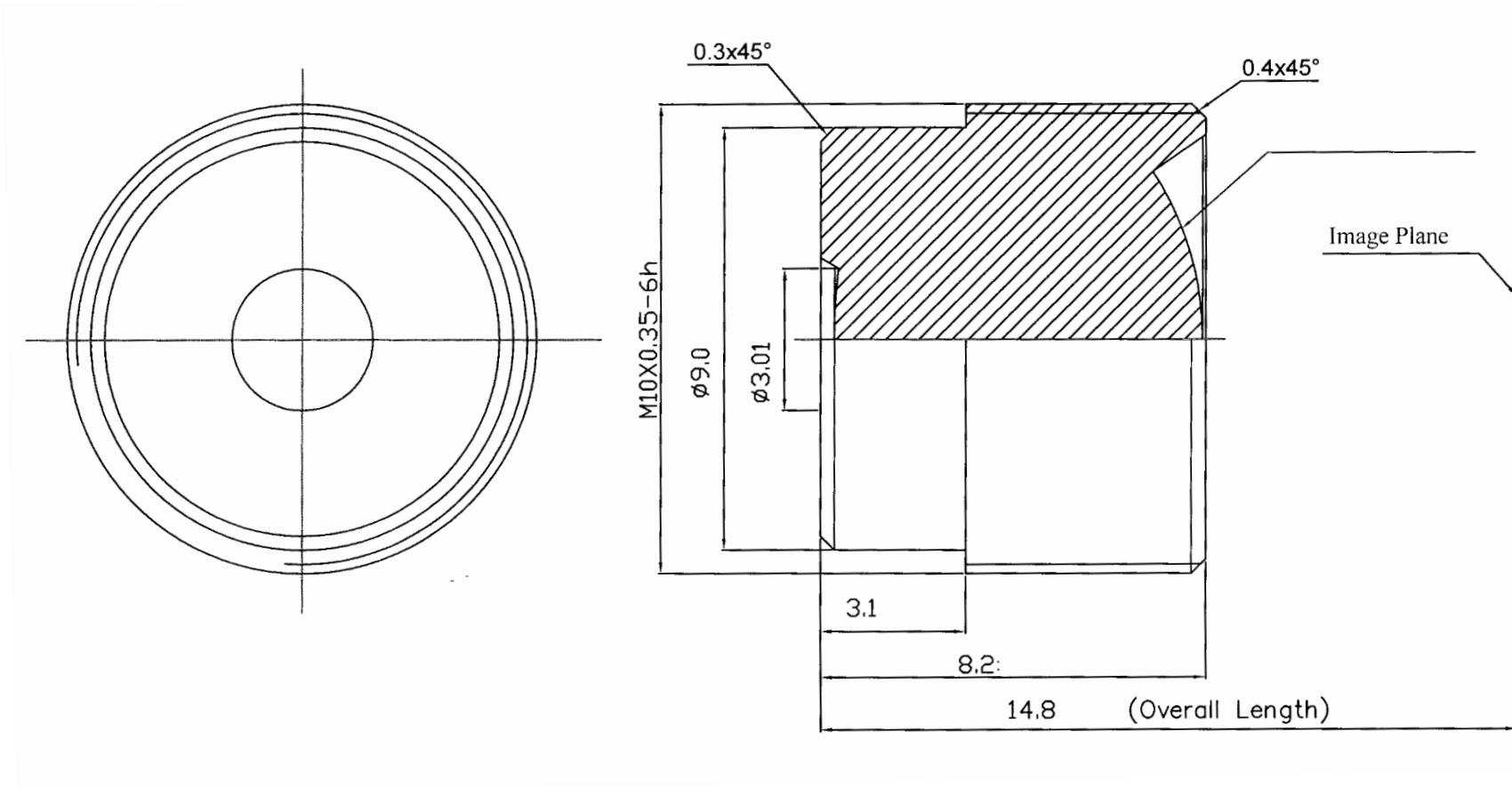
Sunex PN DSL934	
Description	High Resolution Miniature Lens
Imager Format	1/1.8"
Imager Resolution	5MP
Focal Length	9.0mm
Relative Aperture (F/#)	F/3.0 (F/2.0 and F/2.5 available)
Image Circle	8.8mm
Field of View	33° at 5.3 mm image circle 43° at 7.1 mm image circle 52° at 8.8 mm image circle
Total Track Length	14.8mm
Distortion	<2% rectilinear
Chief Ray Angle	14° @ 8.8mm image circle, linear
IR cut-off filter	Optional 650nm IR cut off coating

Applications

- Security / Surveillance cameras
- Computer Vision cameras
- Wearable cameras

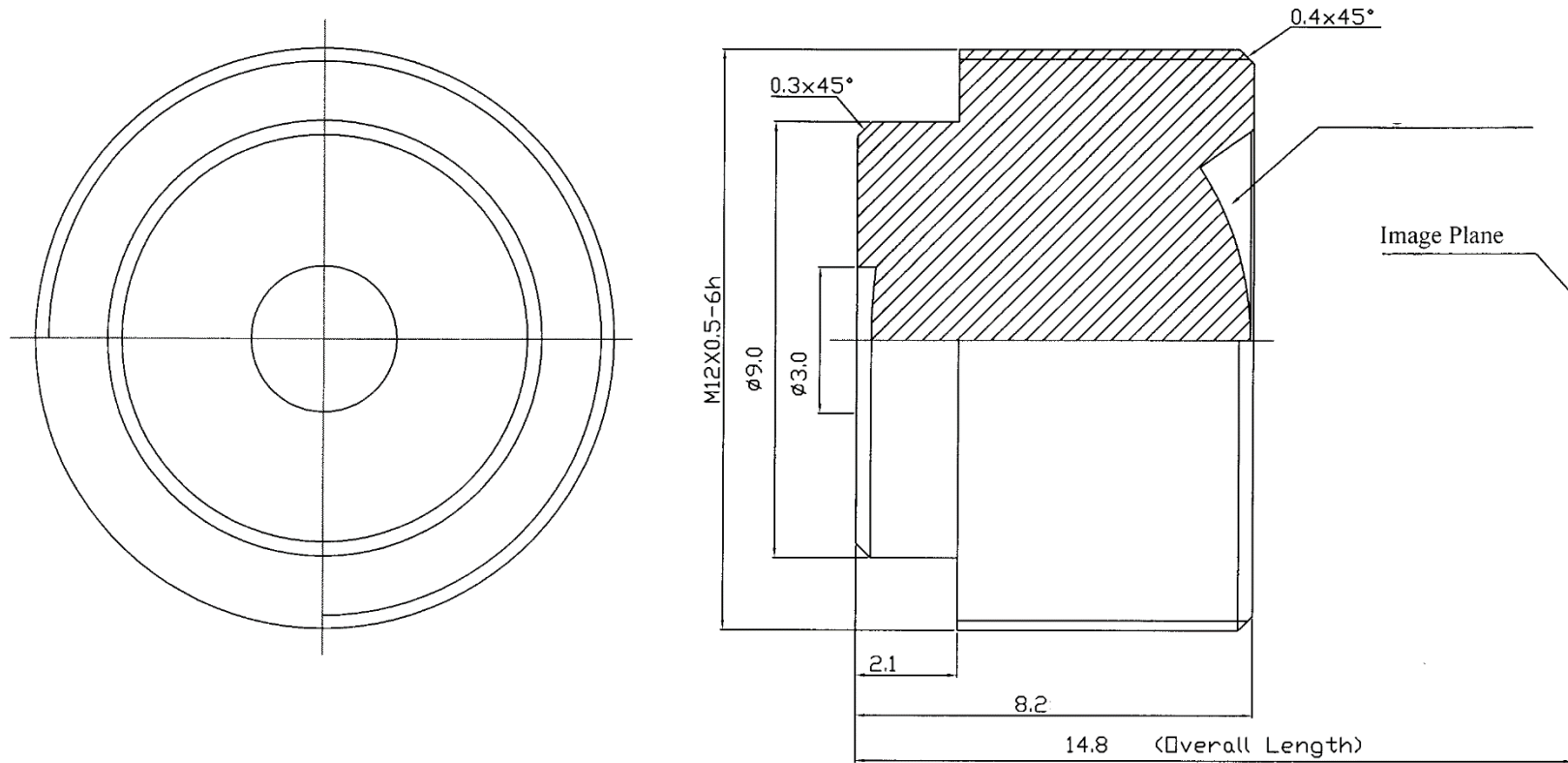
DSL934A-650-F3.0 and DSL934A-NIR-F3.0 Mechanical Dimensions [mm]:

Note: DSL934A is intended for use with Sunex CMT934 mount

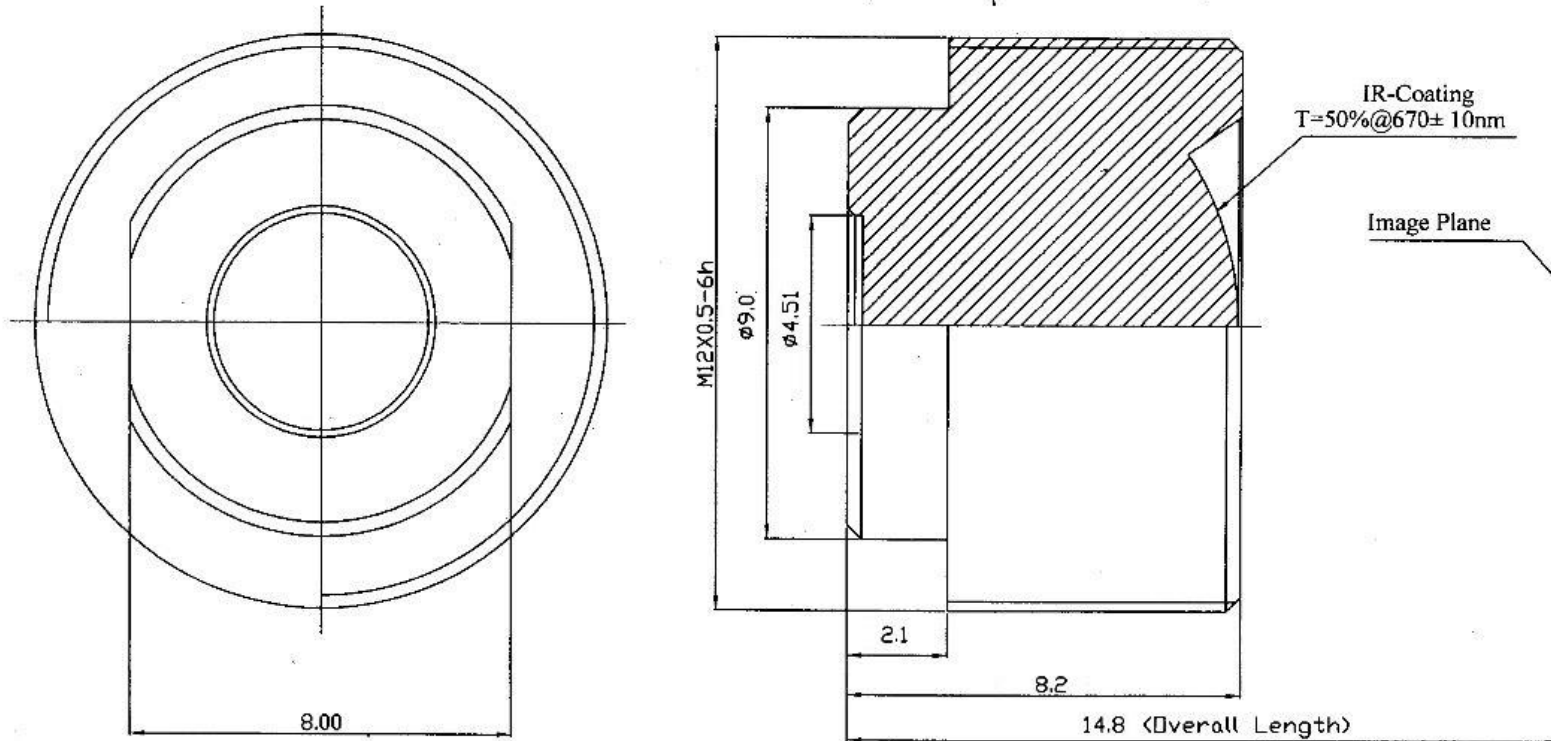


DSL934B-650-F3.0 and DSL934B-NIR-F3.0 Mechanical Dimensions [mm]:

Note: DSL934B is intended for use with Sunex CMT821 or CMT822 mounts.



DSL934C-670-BBAR-F2.0 Mechanical Dimensions [mm]:



NOTE:

Barrel material: Cu
EFL=9mm, F#=2.0