

### Miniature Digital Imaging Lens



### Description

The DSL871 is a low-profile lens optimized for 1/3.2" format image sensors with up to 3 Megapixel resolution. The small form factor and front lens diameter make the DSL871 ideal for light-weight and discreet camera applications.

### Key Features

- Hybrid Design for short TTL
- Minimum barrel size: M8x0.35

### Optical Specifications

Sunex PN DSL871	
Description	Miniature DSC Lens
Imager Format	1/3.2"
Nominal Imager Resolution	3MP
Focal Length	5.1mm
Relative Aperture (F/#)	F/2.8
Image Circle	5.6mm
Field of View	57° at 5.6 mm image circle
Total Track Length	7.0mm
Distortion	<2% rectilinear
Chief Ray Angle	19° at 5.6mm image circle, non-linear
IR cut-off filter	Optional 650nm IR cut-off filter

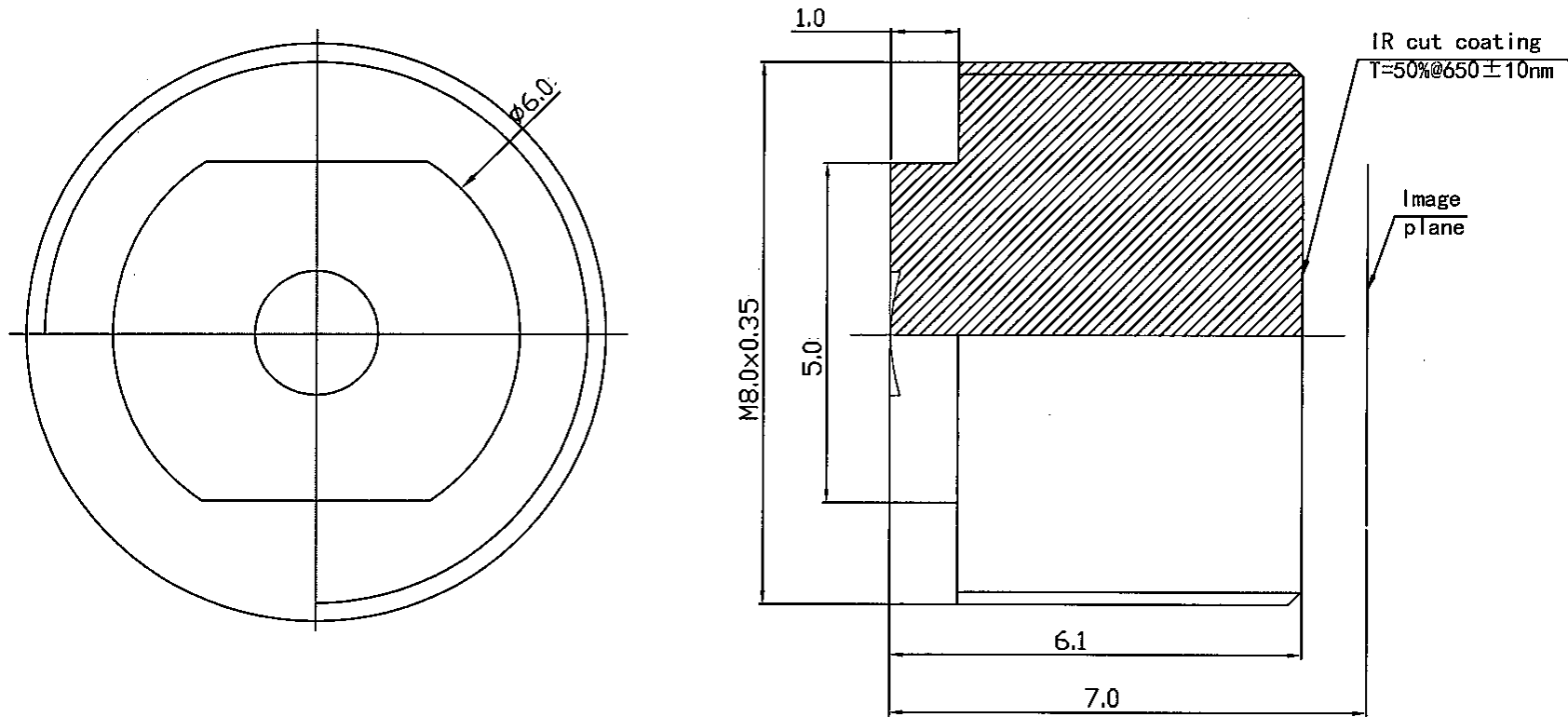
### Applications

- Consumer cameras
- Medical and Finite Imaging
- Biometric and Surveillance
- Scanner and Industrial



### DSL871F-650-F2.8 and DSL871F-NIR-F2.8 Mechanical Dimensions [mm]:

Note: DSL871F is intended for use with Sunex CMT233 mount



### DSL871G-NIR-F2.8 Mechanical Dimensions [mm]:

