

HDR Optimized Miniature Imaging Lens



Description

The DSL849 lens is a compact, low F-number lens designed for multifunctional, forward facing, automotive cameras using high dynamic range (HDR) or wide dynamic range (WDR) sensors. The lens is suitable for image sensors up to 1/3" format and megapixel resolution. Stray light effects such as flare and ghosting have been minimized.

Key Features

- Low F/# for low light conditions
- HDR optimized, limiting stray light effects
- Compact size, 8 mm diameter and 12.1 mm TTL
- All glass design to optimize thermal stability

Optical Specifications

Sunex PN DSL849	
Description	HDR Optimized Lens
Imager Format	1/3.2"
Nominal Imager Resolution	Up to 1.3MP
Focal Length	5.9mm
Relative Aperture (F/#)	F/1.9
Image Circle	5.6mm
Field of View	41° at 4.54 mm image circle 49° at 5.6 mm image circle
Total Track Length	12.1mm
Distortion	<2% rectilinear
Chief Ray Angle	16.5° at 5.6mm image circle, linear
IR cut-off filter	Optional integrated 700nm or 750nm IR-cut coating

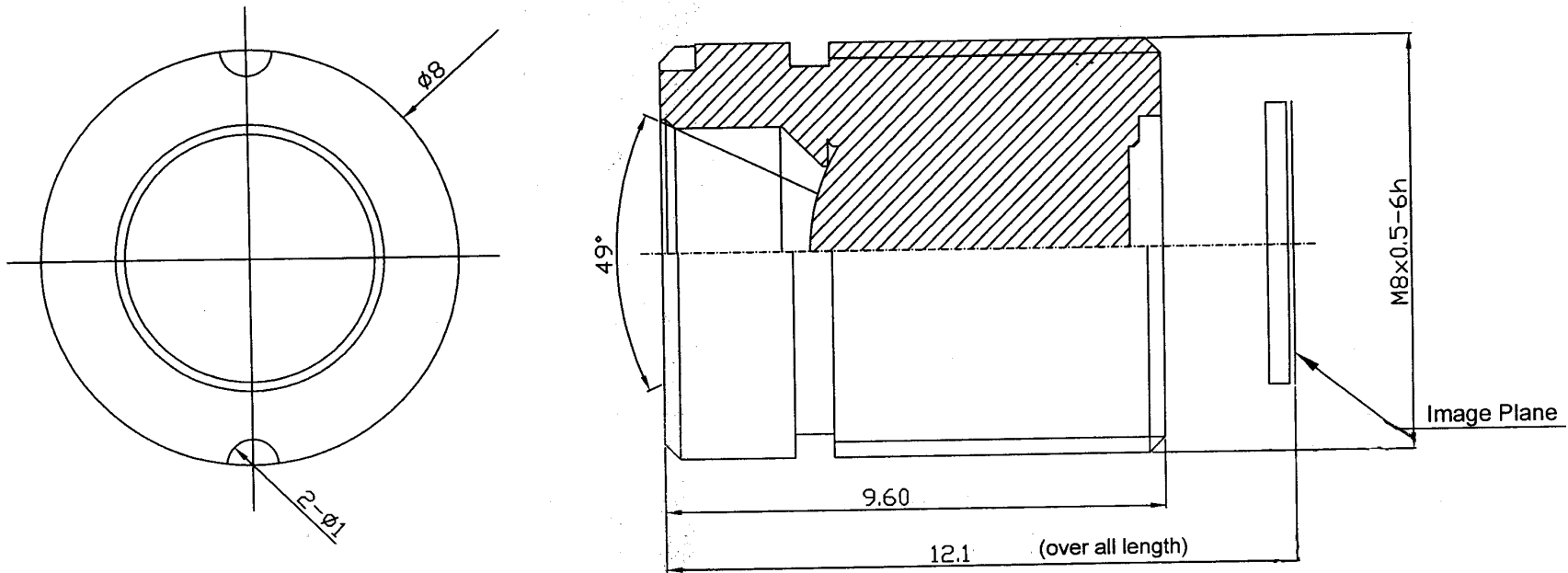
Applications

- HDR Computer Vision
- Forward facing automotive cameras
- LDW, IHC, pedestrian detection, traffic sign recognition

Excellence in Digital Imaging Optics

DSL849A-700-F1.9, DSL849A-750-F1.9, and DSL849A-NIR-F1.9 Mechanical Dimensions [mm]:

Note: DSL849A is intended for use with Sunex CMT830 mount



SUBJECT TO CHANGE WITHOUT NOTICE

Sunex, Inc.
Telephone: +1 760 597 2966
www.sunex.com