

4K HDR-Optimized Ultra-Wide Lens



Description

The DSL491 is an all-glass, high-resolution (4K+), wide-angle lens designed for HDR and/or 4K sensors up to 1/2" format size. The design provides a maximum FOV of 150° at maximum image circle of 8.0mm. The compact size and thermal stability make this lens ideal for security and other high-quality indoor/outdoor imaging applications.

Key Features

- HDR-Optimized design
- All-Glass Design for thermal stability
- Good low light performance: F/2.8 aperture
- Compact size

Optical Specifications

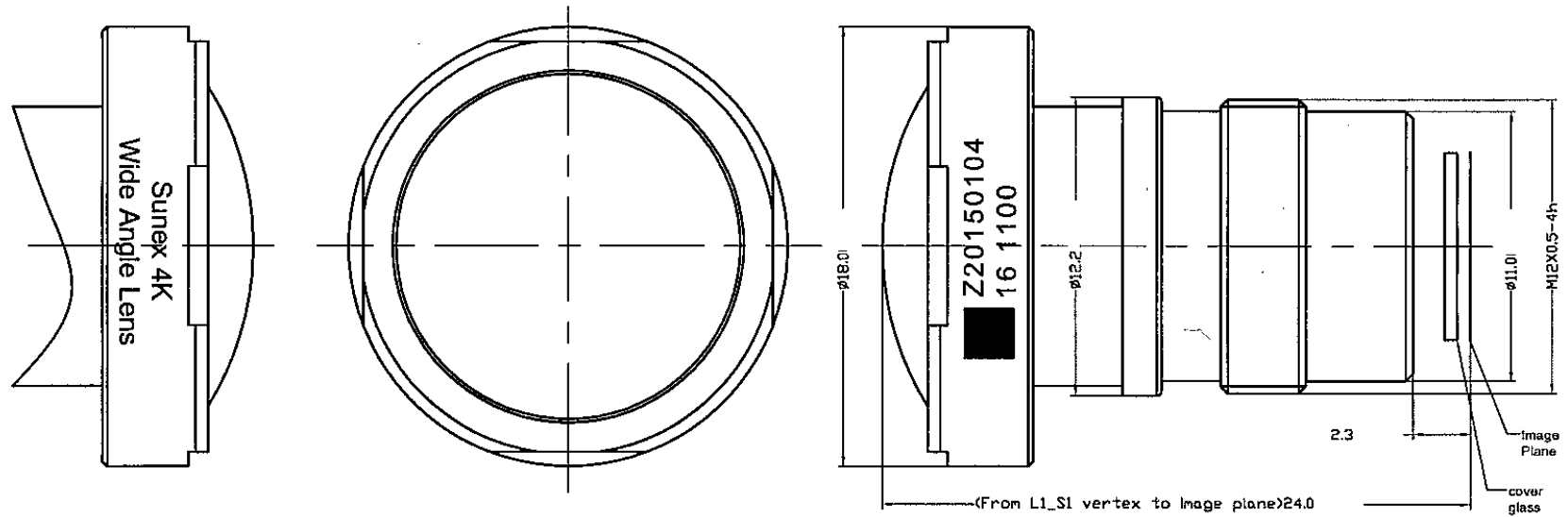
Sunex PN DSL491	
Description	Miniature 4K Wide Angle Lens
Imager Format	Up to 1/2"
Nominal Imager Resolution	Up to 16MP
Focal Length	3.17mm
Relative Aperture (F/#)	2.8
Image Circle	7.6mm
Field of View	108° at 6.0mm image circle 150° at 7.6mm image circle
Total Track Length	24.0mm
Distortion	-7.7% from F- θ at 7.6mm image circle
Chief Ray Angle	13° at 8.0mm image circle, linear
IR cut-off filter	Optional 650nm IR cut off coating

Applications

- Security and Surveillance cameras
- Drone cameras
- Immersive Imaging cameras

DSL491A-NIR-F2.8 and DSL491A-655-F2.8 Mechanical Dimensions [mm]:

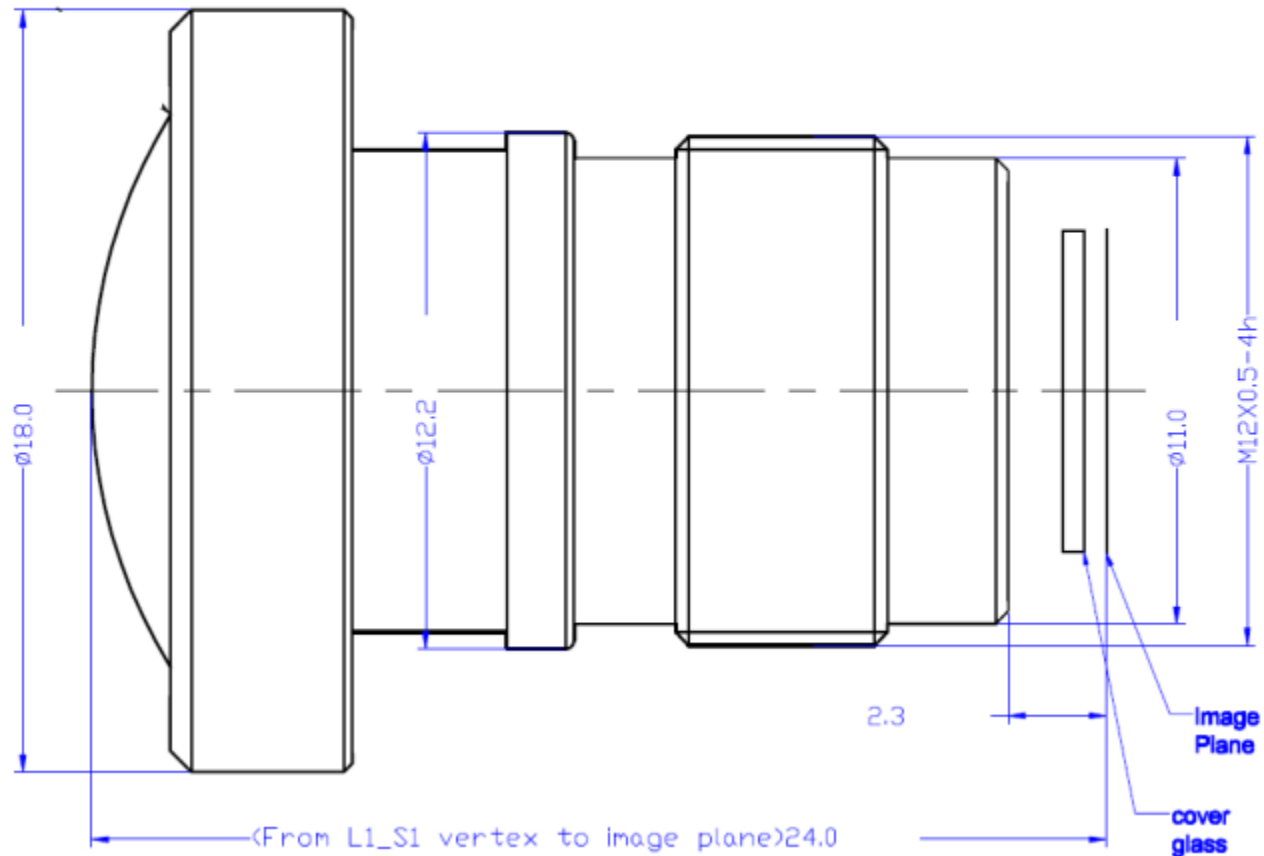
The DSL491 was designed to be compatible with the CMT398 Mount.



Excellence in Digital Imaging Optics

DSL491D-NIR-F2.8 and DSL491D-655-F2.8 Mechanical Dimensions [mm]:

The DSL491 was designed to be compatible with the CMT491 Mount.



SUBJECT TO CHANGE WITHOUT NOTICE

Sunex, Inc.
Telephone: +1 760 597 2966
www.sunex.com