

Low F/#, HDR lens



Description

The DSL457 is an all-glass lens designed for 1/1.8" image formats. The low-ghost HDR design, and low f/#, combined with the all-glass construction make this lens ideally- suited for indoor or outdoor applications.

Key Features

- F/1.6
- HDR-Optimized for low flare and ghost
- All glass construction for thermal and environmental stability
- Fovea distortion

Optical Specifications

Sunex PN DSL457	
Description	HDR, all glass
Imager Format	1/1.8"
Nominal Imager Resolution	8MP
Focal Length	5.1mm
Relative Aperture (F/#)	1.6
Image Circle	9mm @159°
Field of View	120° @8.064mm image circle 159° @9mm image circle
Total Track Length	26.2mm
Distortion	-54% f-tan(theta) @ 8.064mm
Chief Ray Angle	18° @8.064mm image circle
IR cut-off filter	650nm/700nm/NIR optional

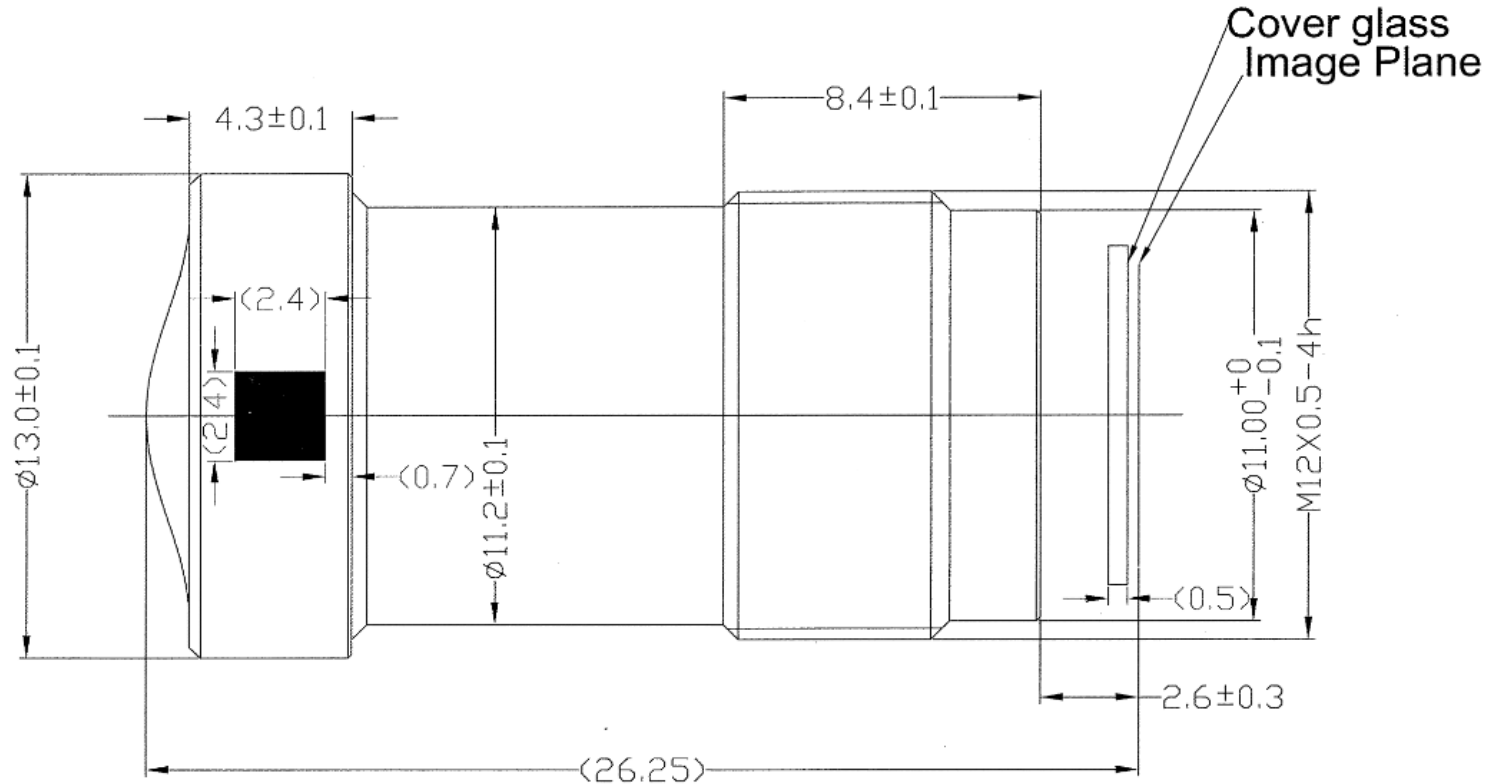
Applications

- Automotive
- Computer Vision and Robotics
- Machine Vision

Excellence in Digital Imaging Optics

DSL457N-650-F1.6 Mechanical Dimensions [mm]:

Note: DSL457 is intended for use with Sunex CMT821 mount.



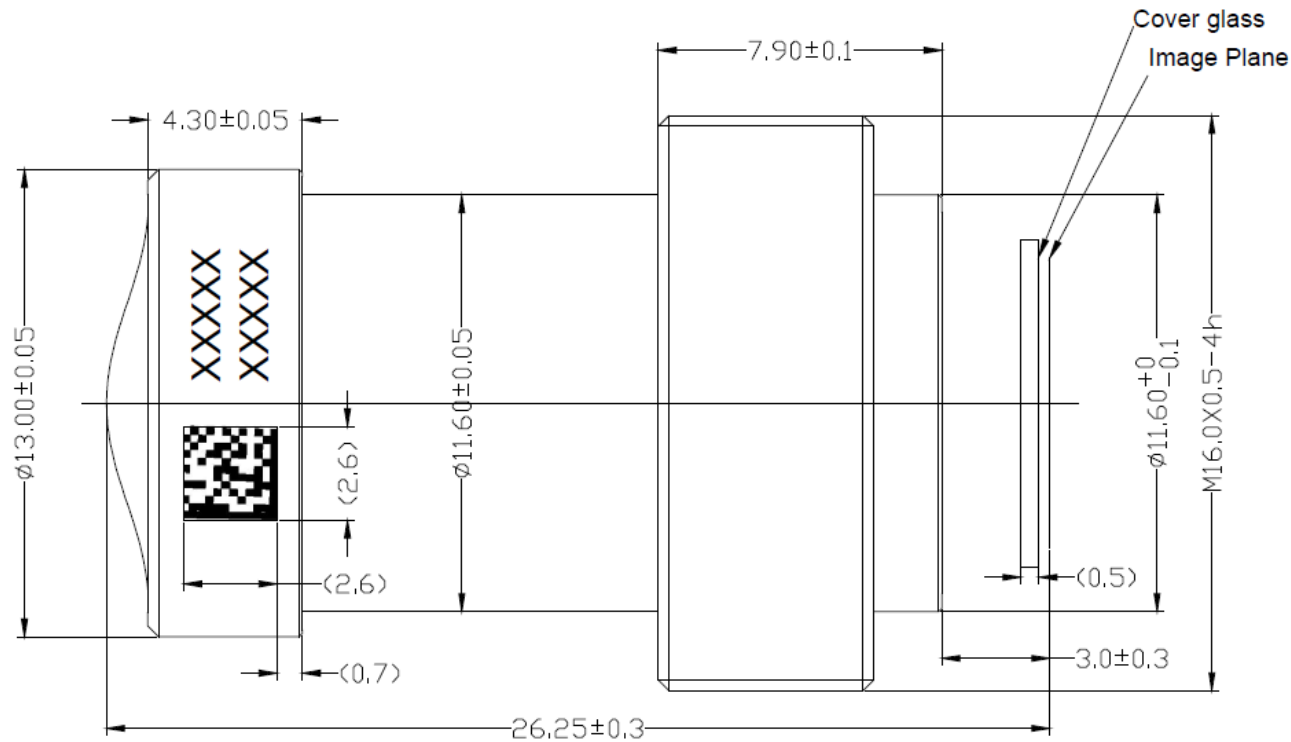
SUBJECT TO CHANGE WITHOUT NOTICE

Sunex, Inc.
Telephone: +1 760 597 2966
www.sunex.com

Excellence in Digital Imaging Optics

DSL457P-700-F1.6 Mechanical Dimensions [mm]:

Note: DSL457 is intended for use with Sunex CMT331A mount.



SUBJECT TO CHANGE WITHOUT NOTICE

Sunex, Inc.
Telephone: +1 760 597 2966
www.sunex.com