

### Miniature HDR lens



### Description

The DSL313 is a miniature high-performance lens designed for 1/2.7" imager formats. No-ghost HDR provides for excellent image quality. The all-glass, all-metal construction makes it thermally and environmentally stable and ideally-suited for indoor and outdoor applications in harsh environments.

### Key Features

- All glass construction
- Environmental and thermal stability
- HDR-Optimized for low flare and ghost

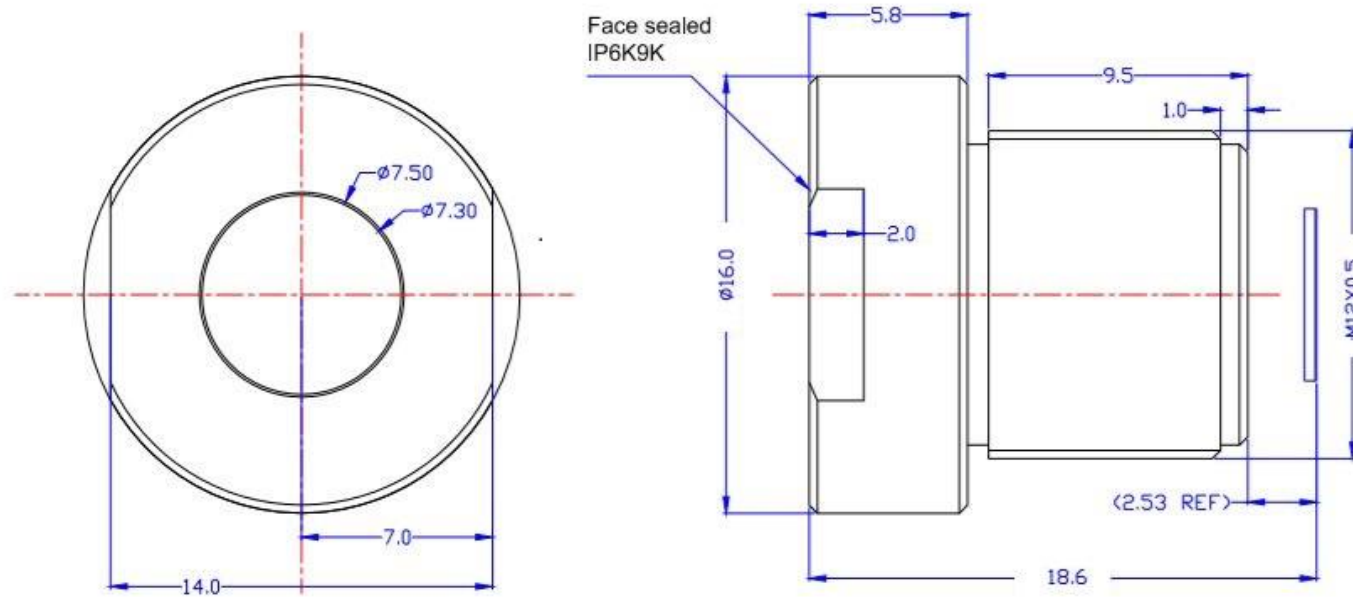
### Optical Specifications

| Sunex PN DSL313           |                           |
|---------------------------|---------------------------|
| Description               | HDR, glass                |
| Imager Format             | 1/2.7"                    |
| Nominal Imager Resolution | 3MP                       |
| Focal Length              | 4.0mm                     |
| Relative Aperture (F/#)   | 2.0/2.4                   |
| Image Circle              | 6.4mm                     |
| Field of View             | 102° @6.4mm image circle  |
| Total Track Length        | 18.6mm                    |
| Distortion                | -10.9% f-theta            |
| Chief Ray Angle           | 13.7° @6.4mm image circle |
| IR cut-off filter         | -650nm                    |

### Applications

- Automotive
- Security
- Computer vision
- Industrial

**DSL313B-650-F2.0, DSL313B-650-F2.0-HP3, DSL313B-NIR-F2.0, DSL313B-650-F2.4-HP3 Mechanical Dimensions [mm]:**



**Note:**

- 1.F#:2.0;
- 2.EFL:4.0mm;
- 3.Barrel and cap material:Black anodized AL;