

4K Miniature SuperFisheye™ Lens



Description

The DSL239 is an all-glass, miniature SuperFisheye™ lens designed for 4K sensors up to 1/1.7" format size. The SuperFisheye™ design a maximum FOV of 186° at image circle of 5.2mm. The low F-number, compact size and thermal stability make this lens ideal for security and other high-quality indoor/outdoor imaging applications.

Key Features

- SuperFisheye FOV: 186°
- All-Glass Design to optimize thermal stability
- Good low light performance: F/2.4 aperture

• Optical Specifications

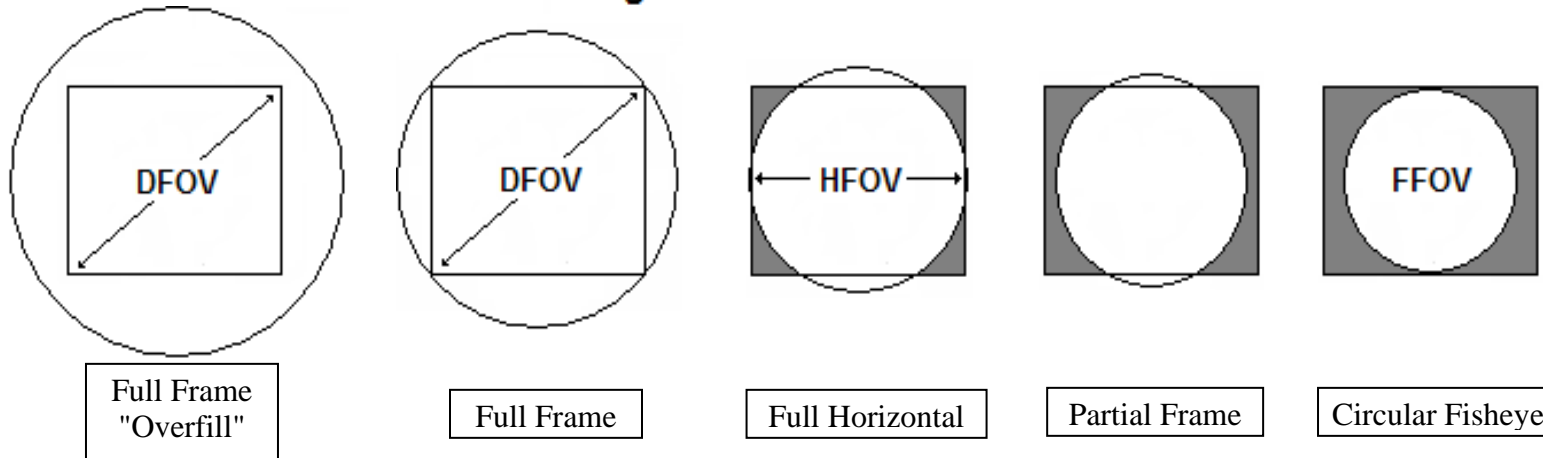
Sunex PN DSL239	
Description	Miniature SuperFisheye™
Imager Format	Up to 1/1.8"
Nominal Imager Resolution	Up to 14MP
Focal Length	1.83mm
Relative Aperture (F/#)	F/2.4
Image Circle	5.2mm
Field of View	186° at 5.2mm image circle
Total Track Length	27mm
Distortion	-12.8% from F- θ
Chief Ray Angle	11.5° at 5.2mm image circle, linear
IR cut-off filter	Optional 650nm IR cut off coating

Applications

- Security and Surveillance cameras
- Drone cameras
- Immersive Imaging cameras

Image circle format using a 4:3 aspect ratio imager:

Image Circle vs. Sensor Format



DSL239 on: 1/3.6" and smaller

~1/3.4"

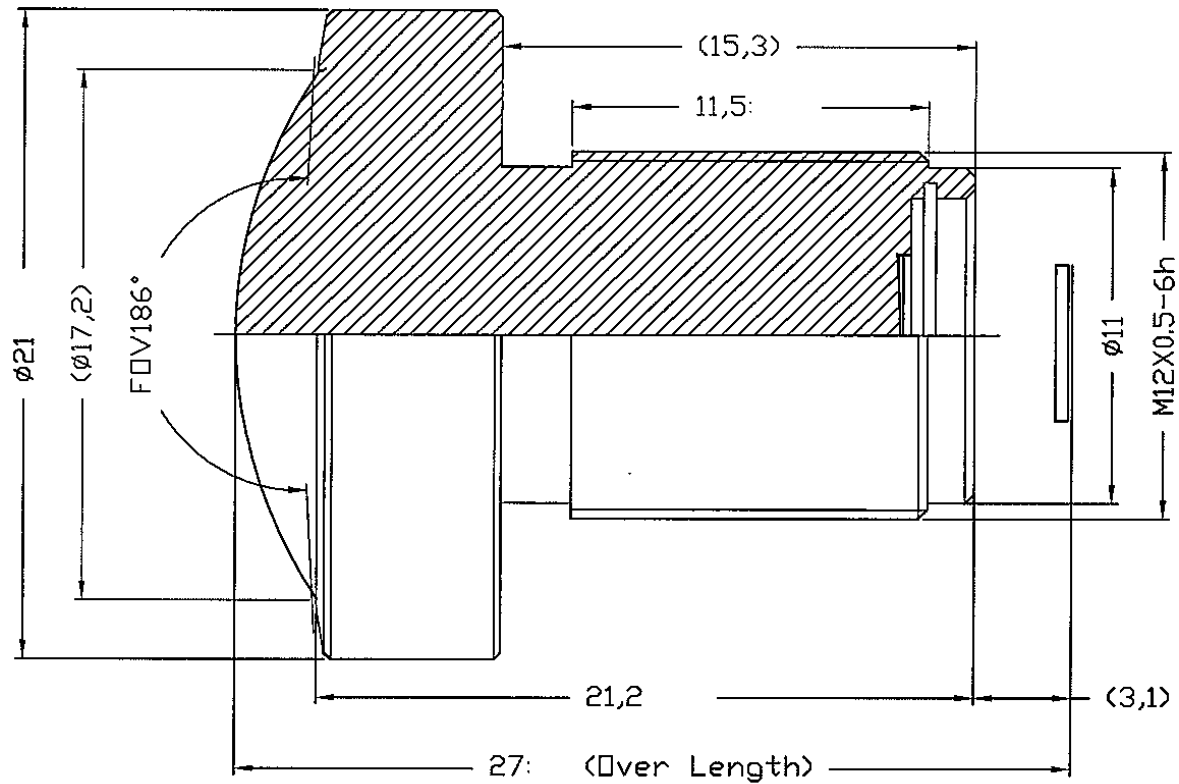
~1/2.8"

~1/2.5"

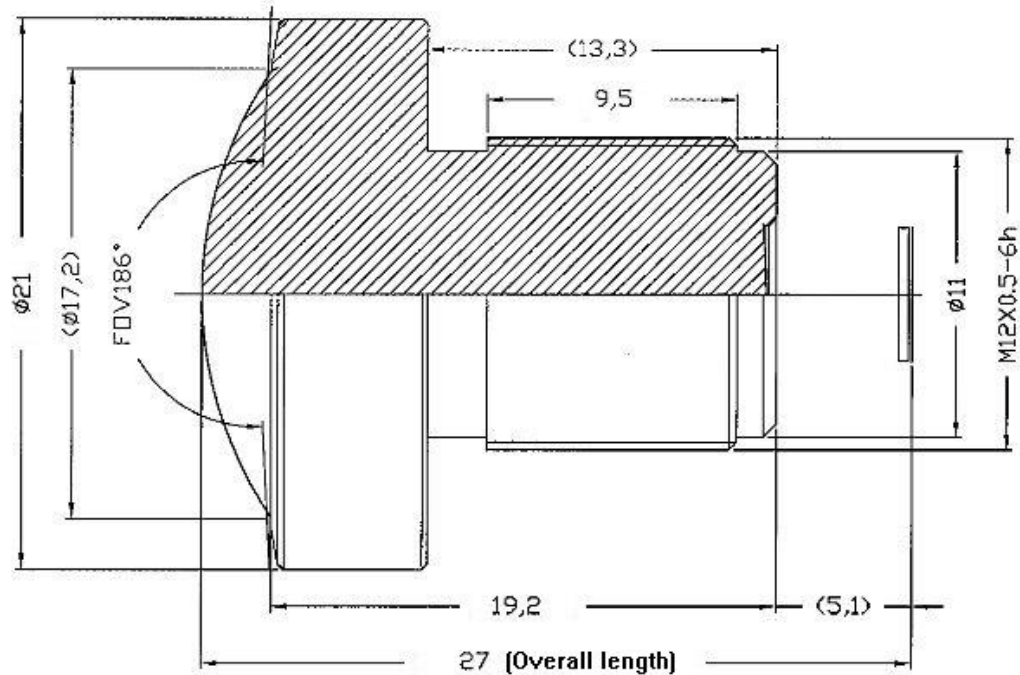
1/1.8" or larger

DSL239A-NIR-F2.4 and DSL239A-650-F2.4 Mechanical Dimensions [mm]:

Compatible with CMT821, CMT002, CMT 103 and CMT107 Mounts



DSL239B-NIR-F2.4 Mechanical Dimensions [mm]:



Notes:

- 1.F#=2.4
- 2.EFL=1.83
- 3.Barrel material:AL
- Cap material:AL