

### 4K+ Tailored Distortion™ Wide-Angle Lens



### Description

The DSL660 is a high-performance, wide-angle lens designed to give outstanding performance on >4K sensors with extremely low distortion and is optimized to reduce stray light artifacts.

### Key Features

- Sunex HDR-Optimized™, 120db, reduces observable stray-light artifacts
- Sunex Tailored Distortion™ Nearly eliminates distortion
- >12mp resolution supports  $\geq 1.4\mu\text{m}$  imagers
- 82° HFOV on 1/2.3" Imagers

### Optical Specifications

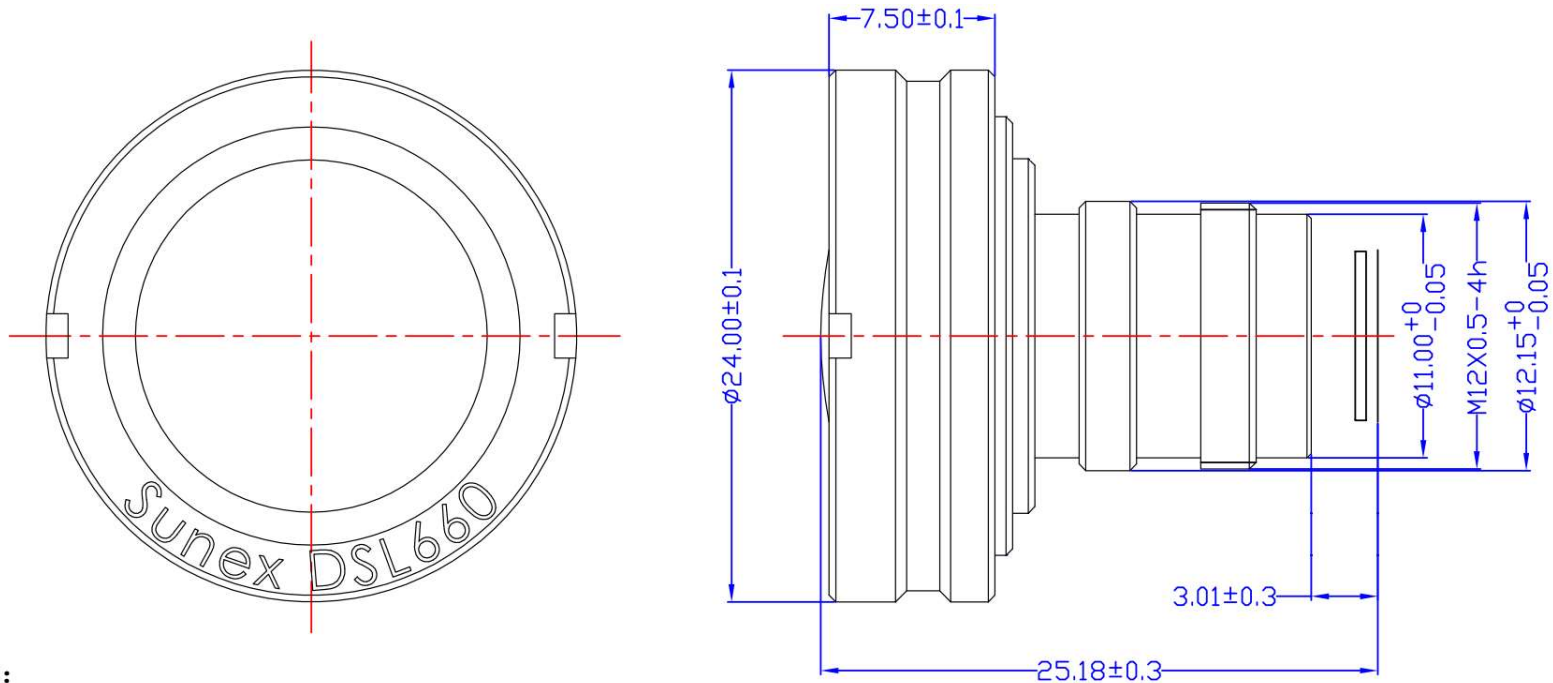
Sunex PN DSL660	
Description	Wide Angle HDR, Low Dist. Lens
Imager Format	Up to 1/2.3"
Nominal Imager Resolution	12MP
Focal Length	3.6mm
Relative Aperture (F/#)	F/2.8
Image Circle	7.8mm
Field of View	95° at 7.8mm image circle
Total Track Length	25.2mm
Distortion	-1.5% rectilinear
Chief Ray Angle	13° at 7.8mm image circle, linear
IR cut-off filter	Optional IR cut-off filter at 660nm

### Applications

- Drone
- Security
- Video Conferencing
- Robotics and Embedded Vision

### DSL660A-660-F2.8 and DSL660A-NIR-F2.8 Mechanical Dimensions [mm]:

Note: DSL660A is intended for use with Sunex CMT168-11xx or CMT821 mount



#### Notes:

- 1.F/#:2.8mm;
- 2.EFL:3.61mm;
- 3.Barrel material:Black anodized AL;  
Cap material:Blak anodized AL;
- 4.IR cut coating: T=50%@660 (optional)