

4K+ Tailored Distortion™ Wide-Angle Lens



Description

The DSL401 is a miniature Tailored Distortion™ wide-angle lens designed for 4K+ HDR sensors with up to 1/2" format size. The compact size, low distortion and high image quality make this lens ideal for space constrained camera systems requiring minimal, if any, distortion correction in the ISP or software.

Key Features

- Tailored Distortion™
- 4k+ resolution
- Compact Design

Optical Specifications

Sunex PN DSL401	
Description	Miniature Tailored Distortion™ Lens
Nominal Imager Format	Up to 1/2"
Imager Resolution	Up to 16MP
Focal Length	2.8 mm
Relative Aperture (F/#)	F/2.8
Image Circle	8.0 mm
Field of View	73° at 4.6mm image circle 92° at 6.2mm image circle 108° at 7.8mm image circle
Total Track Length	24 mm
Distortion	+29% from F- θ , <13% rectilinear
Chief Ray Angle	14° at 8.0mm image circle, linear
IR cut-off filter	Optional 660 nm IR cutoff filter.

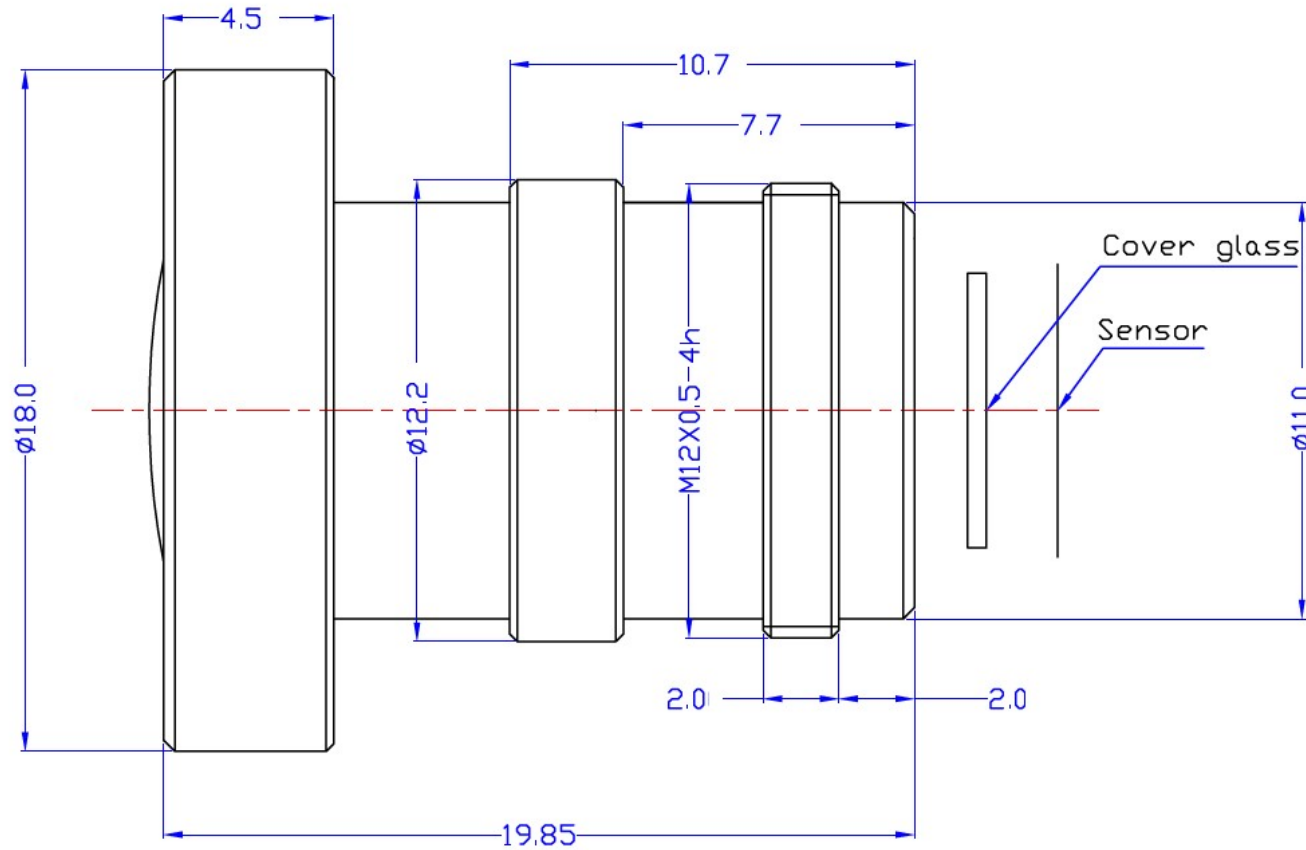
Applications

- Video Conferencing
- Drones
- Security and Surveillance
- Consumer Devices and IoT

Excellence in Digital Imaging Optics

DSL401A-660-F2.8 Mechanical Dimensions [mm]:

Note: The DSL401A is intended for use with Sunex CMT168 mount



SUBJECT TO CHANGE WITHOUT NOTICE

Sunex, Inc.
Telephone: +1 760 597 2966
www.sunex.com