

### 4K Wide Angle CS-Mount Lens



### Description

The DSL318 lens is a 4k wide angle CS-Mount lens designed to give a 110° horizontal FOV on 1" format imagers with up to 10MP resolution. The high sharpness, high relative illumination and near to F-Theta projection make this lens ideal for Security and Immersive Imaging applications.

### Key Features

- CS Mount
- Wide-Angle Field of View
- Set-Screw for adjustable focus

### Optical Specifications

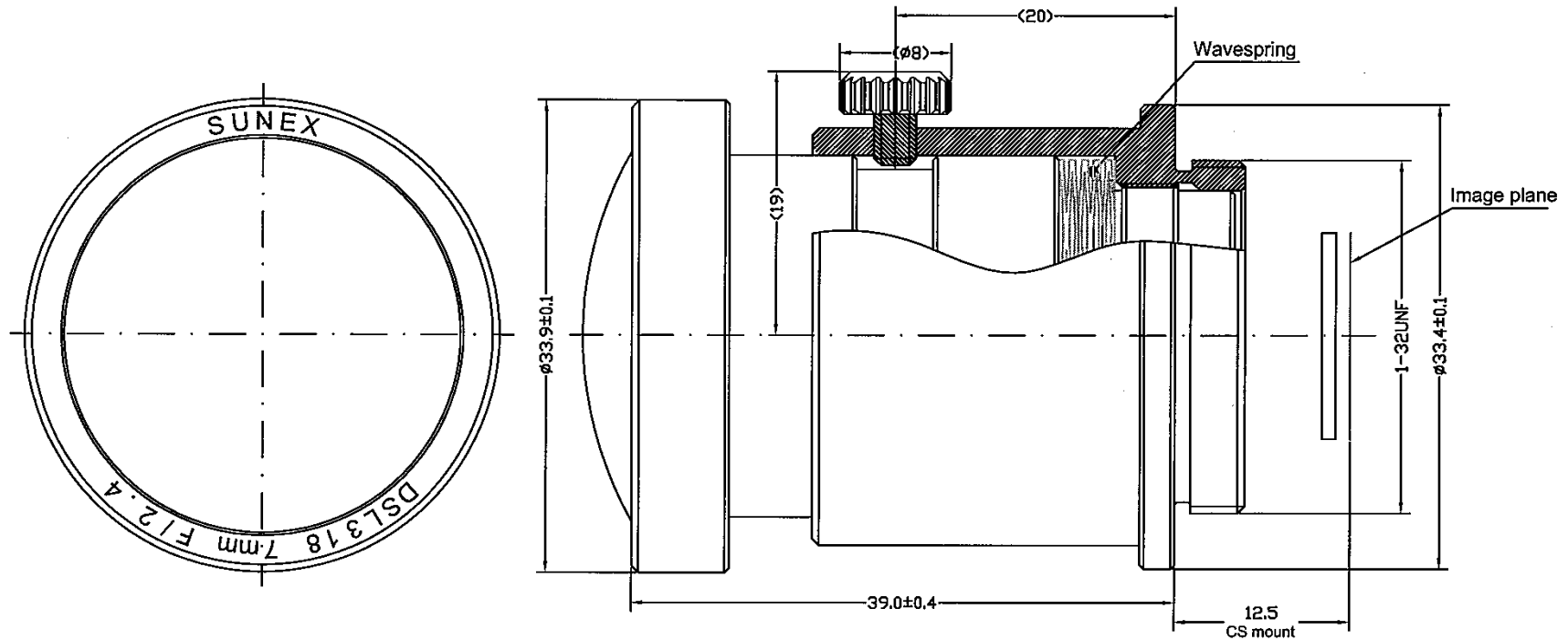
Sunex PN DSL318	
Description	Large Format Wide Angle Lens
Imager Format	Up to 1"
Nominal Imager Resolution	10MP
Focal Length	7.0mm
Relative Aperture (F/#)	F/2.4
Image Circle	16.0mm
Field of View	112° @ 13.2mm image circle 142° @ 16.0mm image circle
Total Track Length	54.5mm
Distortion	-7.5% from F-θ
Chief Ray Angle	13° at 16.0mm image circle, linear
IR cut-off filter	Optional 650nm cutoff coating

### Applications

- Security/Surveillance
- Video Conferencing
- Immersive Imaging

### DSL318B-650-F2.4 and DSL318B-NIR-F2.4 Mechanical Dimensions [mm]:

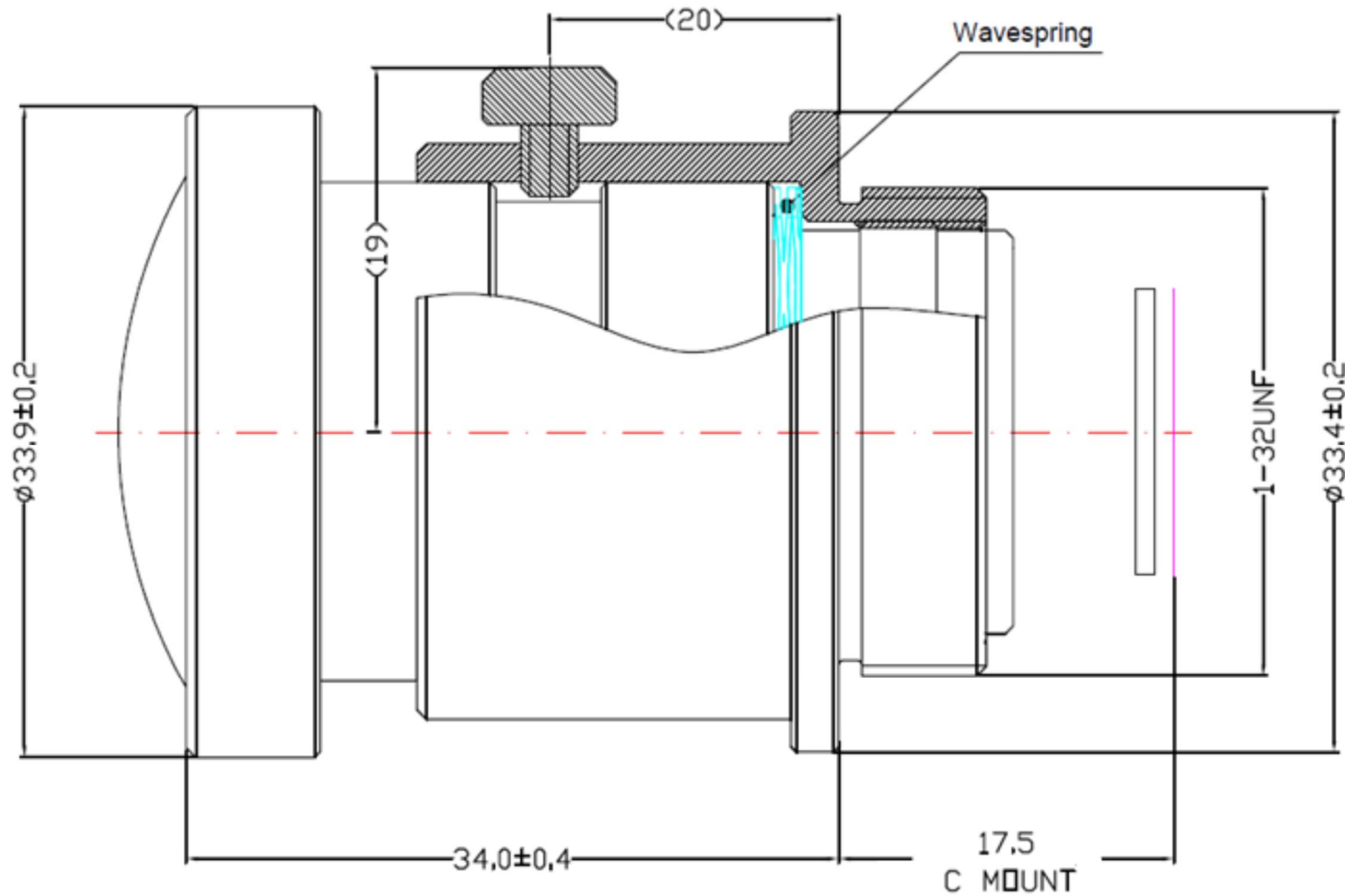
Note: DSL318B is not compatible with C-Mount cameras with Flange Distance >15mm.



Excellence in Digital Imaging Optics

### DSL318D-650-F2.4 and DSL318D-NIR-F2.4 Mechanical Dimensions [mm]:

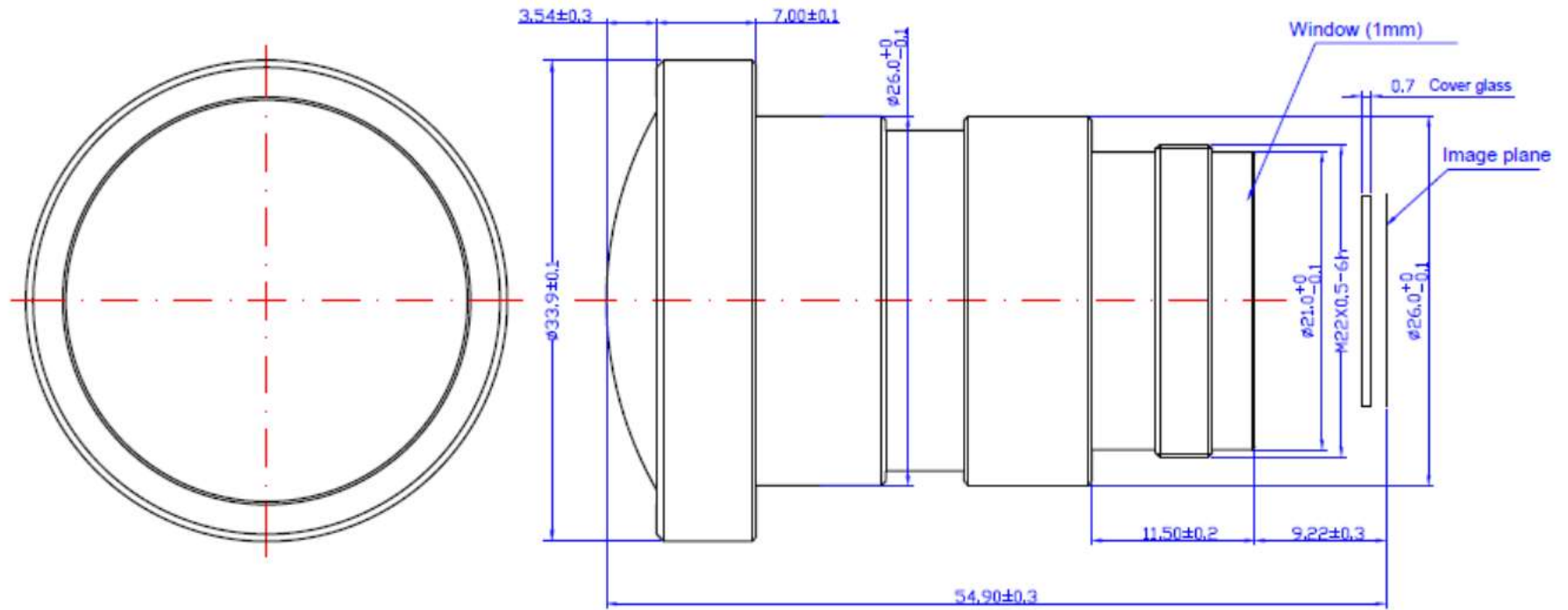
Note: DSL318D is not compatible with CS-Mount cameras with Flange Distance <math>< 17.526\text{mm}</math>.



SUBJECT TO CHANGE WITHOUT NOTICE

**Sunex, Inc.**  
Telephone: +1 760 597 2966  
[www.sunex.com](http://www.sunex.com)

### DSL318F-650-F2.4 Mechanical Dimensions [mm]:



SUBJECT TO CHANGE WITHOUT NOTICE

**Sunex, Inc.**  
Telephone: +1 760 597 2966  
[www.sunex.com](http://www.sunex.com)