

Wide Angle, Day/Night Lens



Description

The DSL213 is a miniature wide-angle and Day/Night lens designed for 1/3" format imagers with up to 2MP resolution. The Near Infrared correction and low F/# make this lens ideal for compact applications using active 850nm or 940nm light sources, and those used in low light situations.

Key Features

- Day/Night NIR Corrected
- F/2.0 for excellent low-light performance
- All glass construction to optimize thermal stability

Optical Specifications

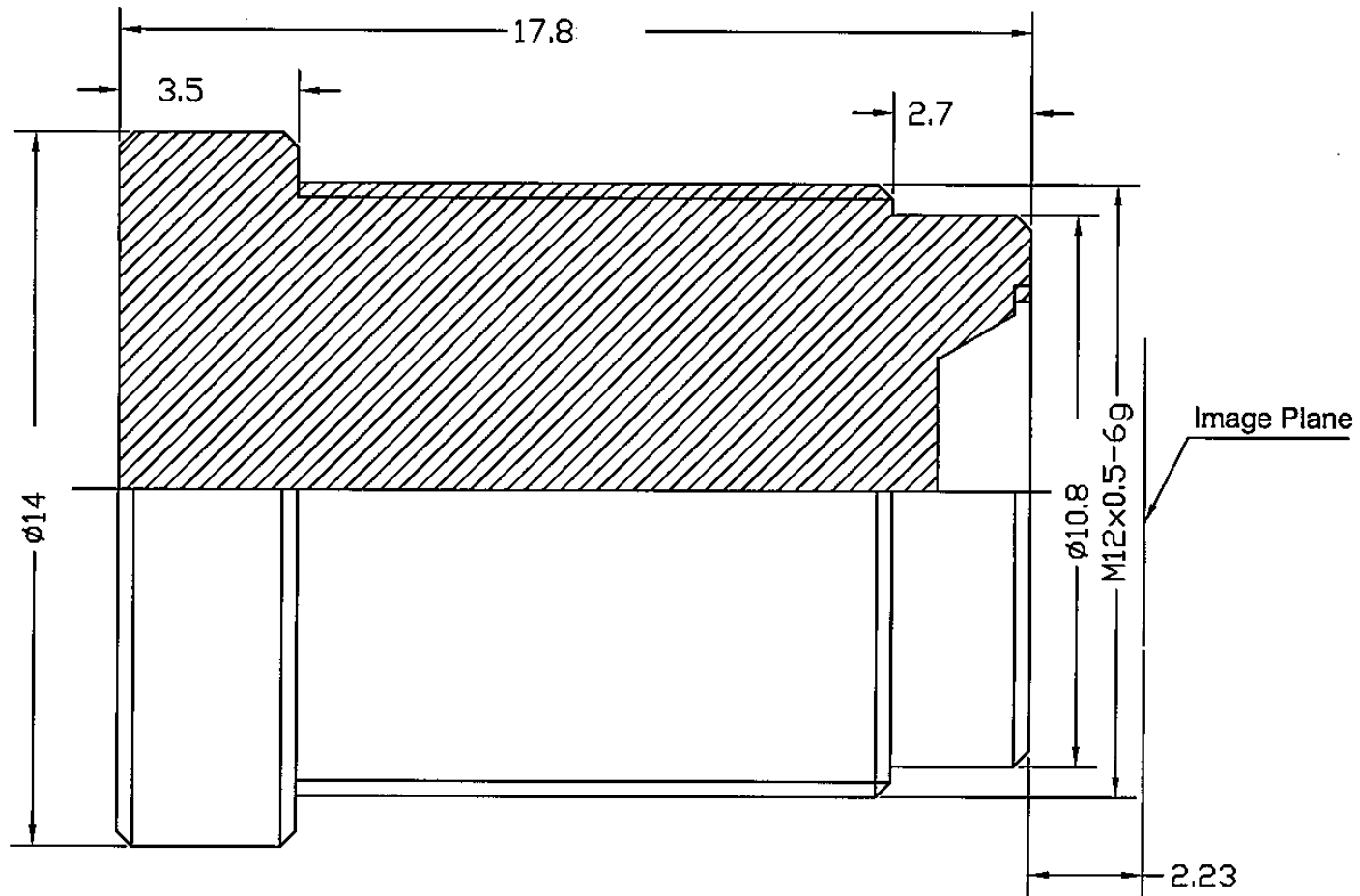
Sunex PN DSL213	
Description	Miniature wide angle lens
Imager Format	Up to 1/3"
Nominal Imager Resolution	2.0MP
Focal Length	3.0mm
Relative Aperture (F/#)	F/2.0
Image Circle	6.0mm
Field of View	106° at 4.8mm image circle 170° at 6.0mm image circle
Total Track Length	20.0mm
Distortion	-33% from F- θ
Chief Ray Angle	15.6° at 6.0mm image circle
IR cut-off filter	Optional 670nm IR cutoff filter

Applications

- Security/Surveillance
- Wearable Cameras
- Computer Vision

DSL213A-670-F2.0 and DSL213A-NIR-F2.0 Mechanical Dimensions [mm]:

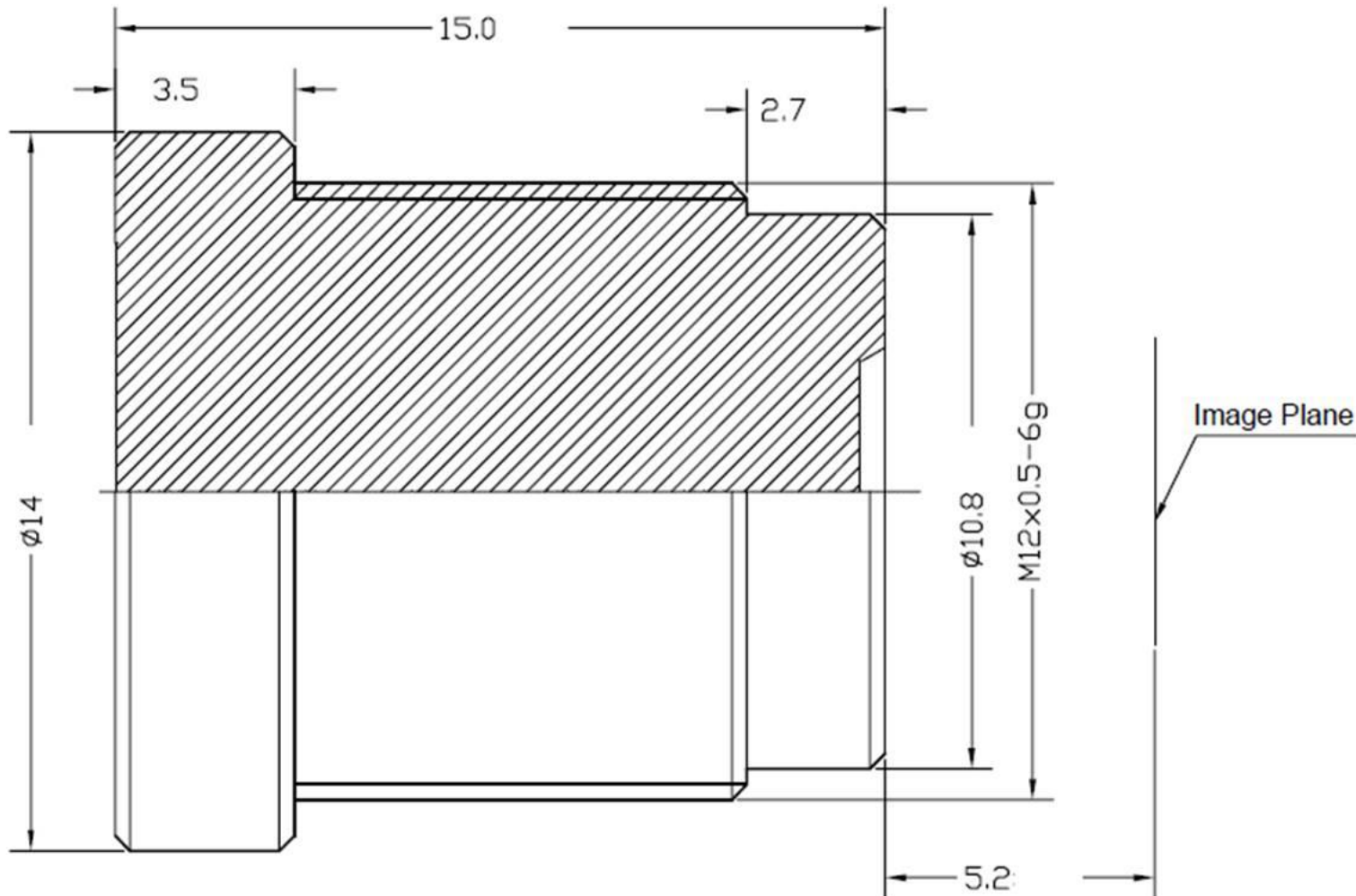
Note: DSL213A is intended for use with Sunex CMT821, CMT822 or CMT103 mounts.



Excellence in Digital Imaging Optics

DSL213B-NIR-F2.0 Mechanical Dimensions [mm]:

Note: DSL213A is intended for use with Sunex CMT821, CMT822 or CMT103 mounts.



SUBJECT TO CHANGE WITHOUT NOTICE

Sunex, Inc.
Telephone: +1 760 597 2966
www.sunex.com