

### Tailored Distortion™ Miniature SuperFisheye™ Lens



#### Description

The DSL184 lens is a miniature SuperFisheye™ lens with Tailored Distortion™ designed with a field of view of up to 180 degrees on 1/4" to 1/2" format imagers with HD resolution. The low F-number, thermal stability, and special distortion characteristics make this lens ideal for exterior based camera applications.

#### Key Features

- SuperFisheye™ FOV: 180°
- Tailored Distortion™
- Superior low light performance: F/2.0 aperture
- Compact size

### Optical Specifications

Sunex PN DSL184	
Description	Tailored Distortion™ Fisheye Lens
Imager Format	Up to 1/2"
Nominal Imager Resolution	VGA
Focal Length	1.4mm
Relative Aperture (F/#)	F/2.0
Image Circle	4.8mm
Field of View	180° at 4.8mm image circle
Total Track Length	22.0mm
Distortion	+14% from F-θ
Chief Ray Angle	15° at 4.8mm image circle
IR cut-off filter	Optional IR cut-off filter at 650 nm

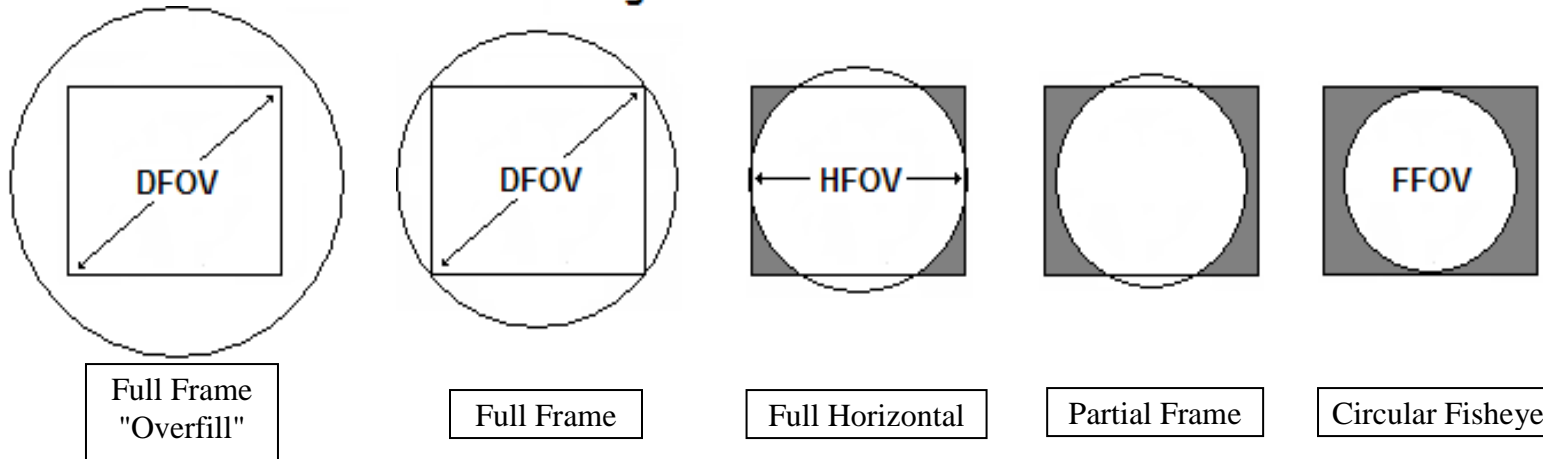
#### Applications

- Automotive Surround View
- Security and Surveillance
- Internet of Things (IoT)
- Computer Vision

Excellence in Digital Imaging Optics

Image circle format using a 4:3 aspect ratio imager:

### Image Circle vs. Sensor Format



*DSL181 on: 1/4" and smaller*

*~1/4"*

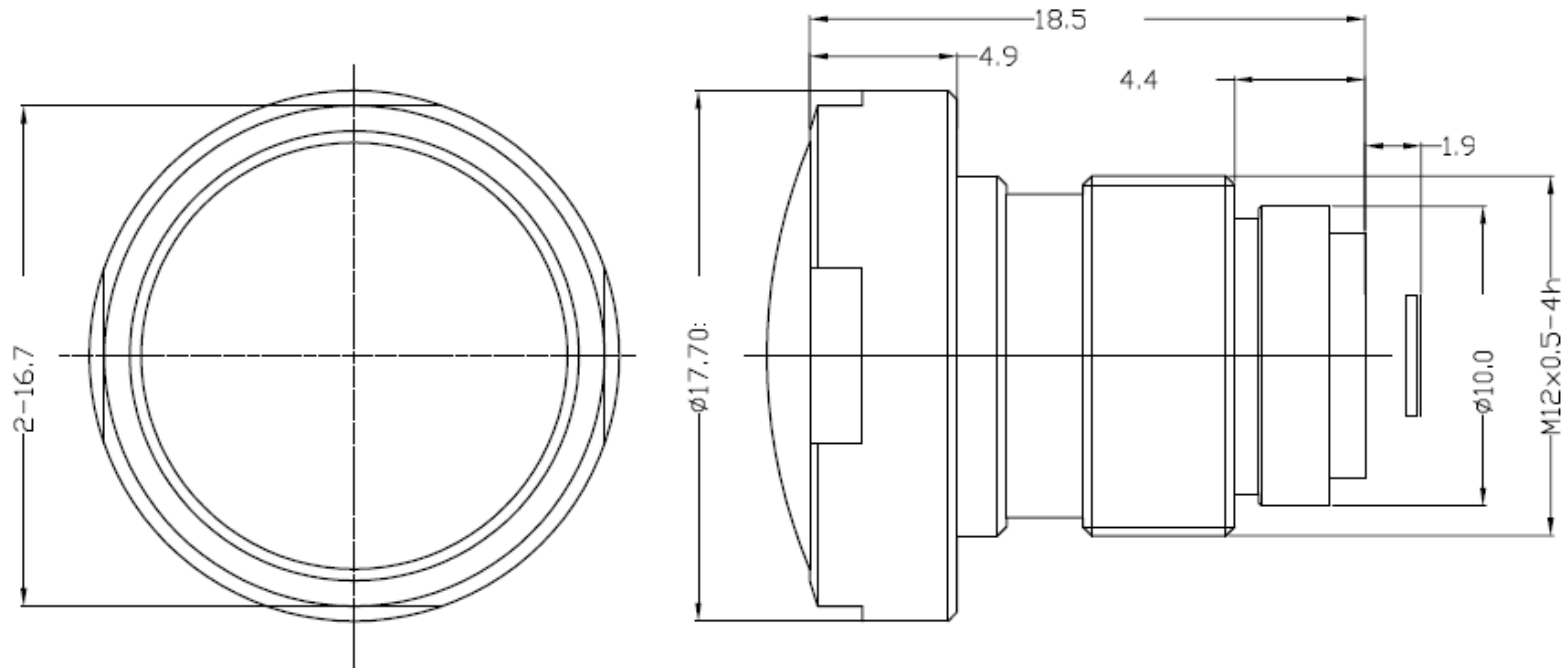
*~1/3"*

*~1/2.5"*

*1/2" or larger*

### DSL184A-650-F2.0 and DSL184A-NIR-F2.0 Mechanical Dimensions [mm]:

Note: DSL184A is intended for use with Sunex CMT821 mount



### DSL184B-650-F2.0 and DSL184B-NIR-F2.0 Mechanical Dimensions [mm]:

Note: DSL184B is intended for use with Sunex CMT168 mount

