

4K, F/1.4 Miniature Wide Angle Lens



Description

The DSL147 is a high-performance, wide-angle, low-light lens with 4K resolution and F/1.4 aperture, designed for 1/3" and 1/2.8" HDR sensors. The all-glass construction makes it thermally stable and ideally-suited for indoor or outdoor applications in harsh environments.

Key Features

- F/1.4 Aperture
- Wide-Angle; 122° HFOV @ 5.2mm (typical 1/2.8" horizontal)
- 4K (6-8mp) resolution on 1/3" and 1/2.8" sensors
- All glass/metal construction

Optical Specifications

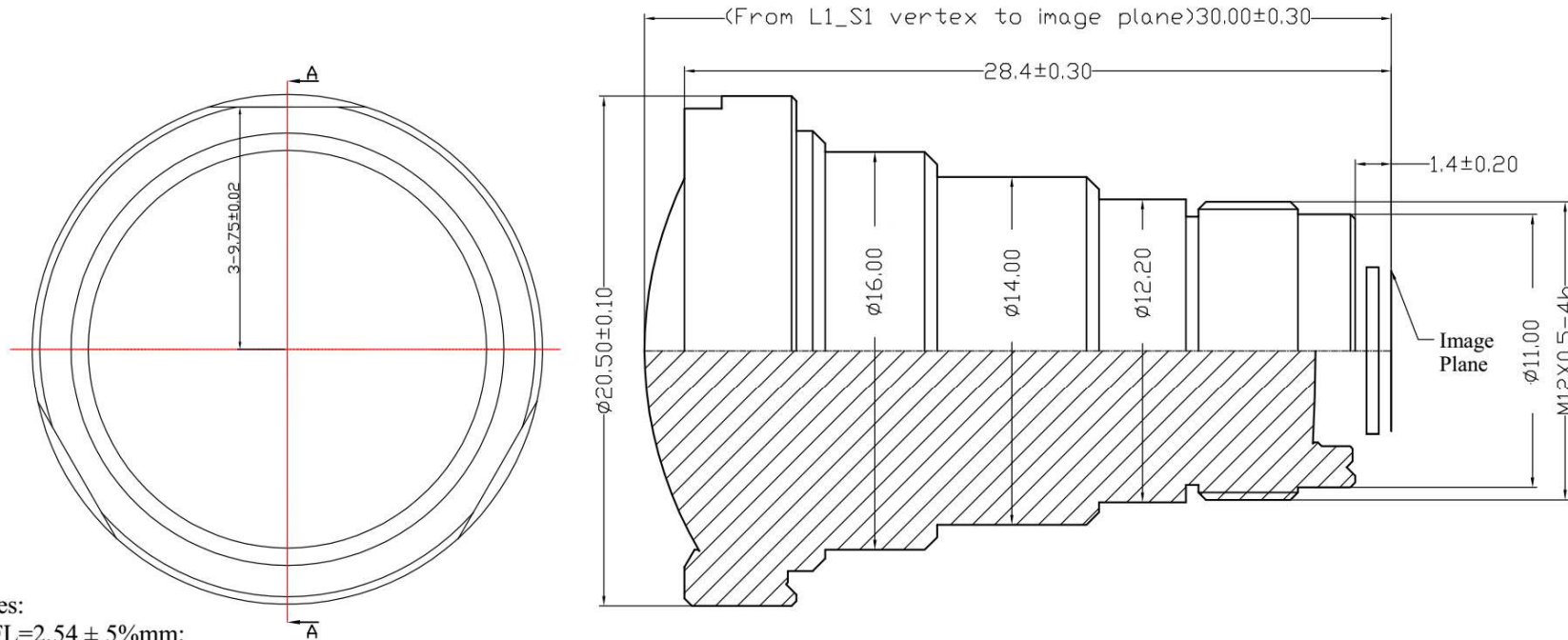
Sunex PN DSL147	
Description	4K, F/1.4 Wide-Angle Lens
Imager Format	Up to 1/2.8"
Nominal Imager Resolution	Up to 8MP (4K)
Focal Length	2.5mm
Relative Aperture (F/#)	F/1.4
Image Circle	6.5mm
Field of View	156° at 6.5mm image circle
Total Track Length	30.0mm
Distortion	-6% from F- θ @ 6.5mm image circle
Chief Ray Angle	7.5° @ 6.5mm image circle
IR cut-off filter	Optional IR cut-off filter

Applications

- Security
- Automotive/ADAS
- Autonomous Vehicles
- Commercial Drones

DSL147A-NIR-F1.4 and DSL147A-650-F1.4 Mechanical Dimensions [mm]:

Note: DSL147A is intended for use with Sunex CMT168-1122 (or -1119) and CMT821 mount



Notes:

- 1.EFL= $2.54 \pm 5\%$ mm;
- 2.F/# = $1.4 \pm 5\%$
- 3.Barrel material : AL6061
- 4.Cap material: AL6061
- 5.Material surface color : Black.
- 6.IR Cut: T= 50% @ 650 ± 10 nm; (optional)