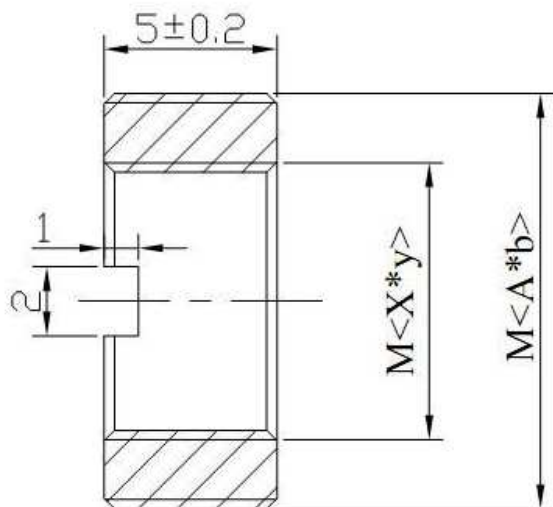


M8 Lens Thread Adapter Specification



PN	M<X*y>	M<A*b>
CMT0805-1205	M8*0.5-6H	M12*0.5-6h
CMT0805-1005	M8*0.5-6H	M10*0.5-6h
CMT0835-1205	M8*0.35-6H	M12*0.5-6h
CMT0835-1005	M8*0.35-6H	M10*0.5-6h

Notes:

- 1. Material is metal

Jan 2010