

Miniature HDR lens



Description

The DSL965 is a miniature lens designed for 1/3" imager formats. It is HDR optimized, optimized for NIR wavelengths, and has a small form factor, thereby catering in particular to the DMS automotive market.

Key Features

- All glass construction
- Compact size
- HDR optimized

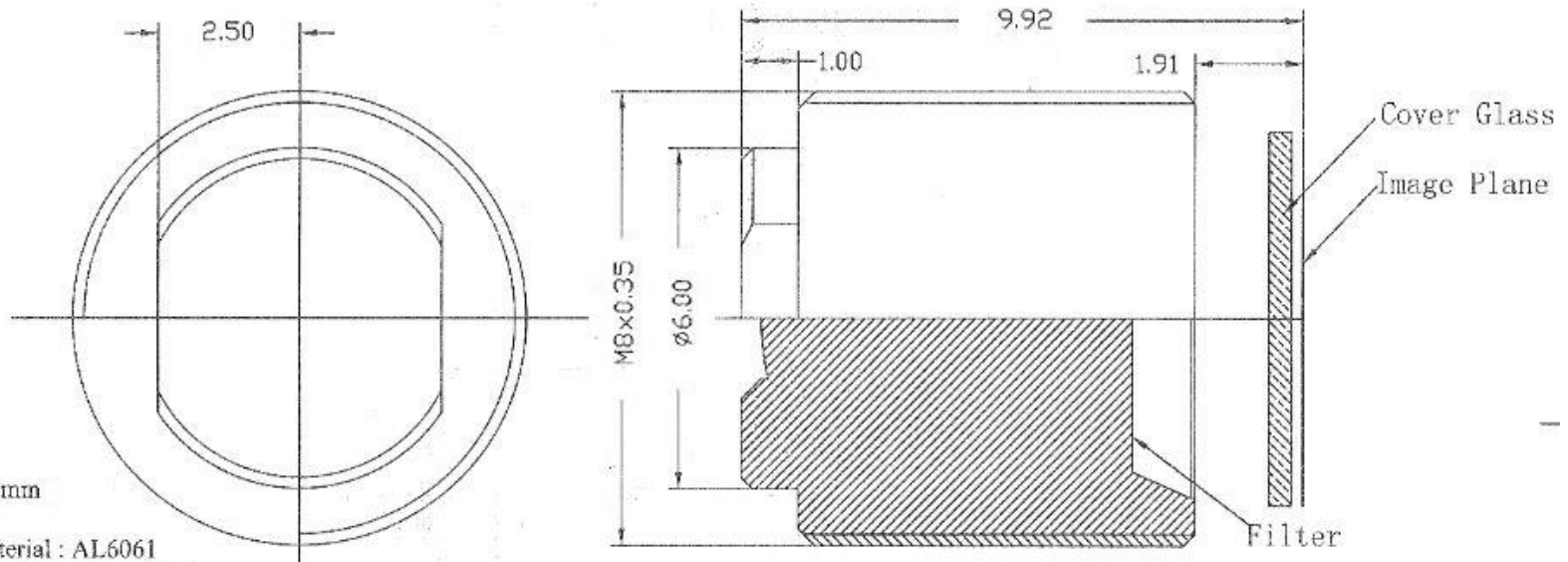
Optical Specifications

Sunex PN DSL965	
Description	Miniature HDR lens
Imager Format	1/3"
Nominal Imager Resolution	2MP
Focal Length	5.83mm
Relative Aperture (F/#)	2.8
Image Circle	6.4mm
Field of View	58° @ 6.4mm image circle
Total Track Length	9.92mm
Distortion	-2.1% f-tan theta
Chief Ray Angle	15.4° @6.4mm image circle
IR cut-off filter	-

Applications

- Automotive
- DMS

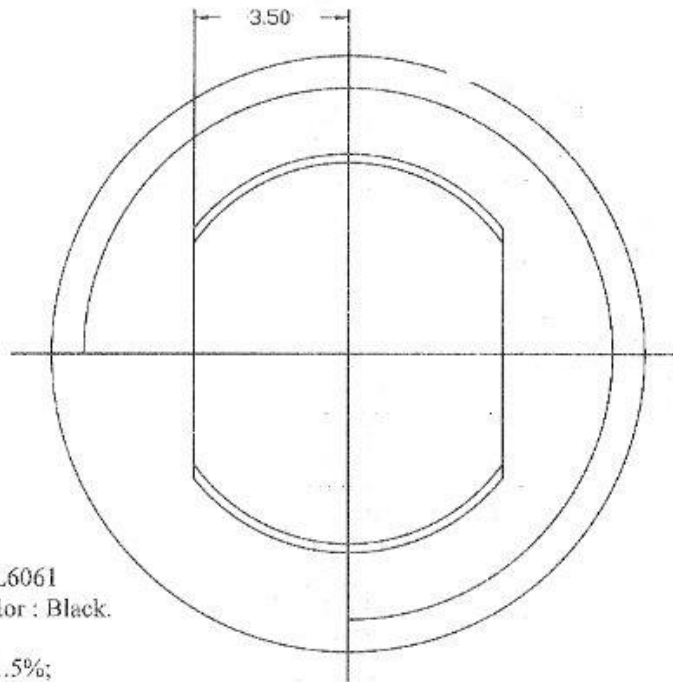
DSL965B-BP945-F2.8 Mechanical Dimensions [mm]:



Notes:

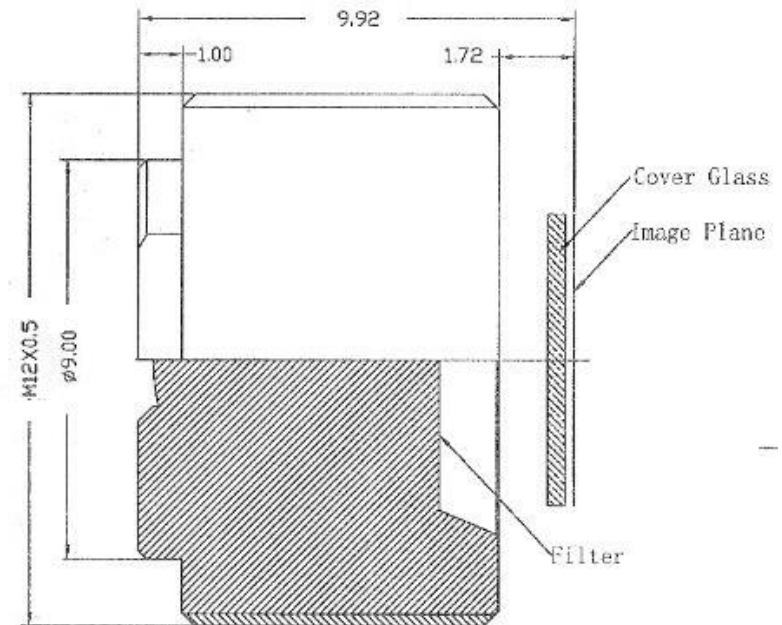
- 1.EFL=5.87mm
- 2.F/# = 2.8
- 3.Barrel material : AL6061
- 4.Material surface color : Black.
- 5.IR bandpass filter:
400-870nm, Tavg<1.5%;
T=50% @ 900±10nm;
925-965nm, Tmin>80%, Tavg>90%;
T=50% @ 980±10nm;
1010-1200nm, Tavg<1.5;

DSL965C-BP945-F2.8 Mechanical Dimensions [mm]:

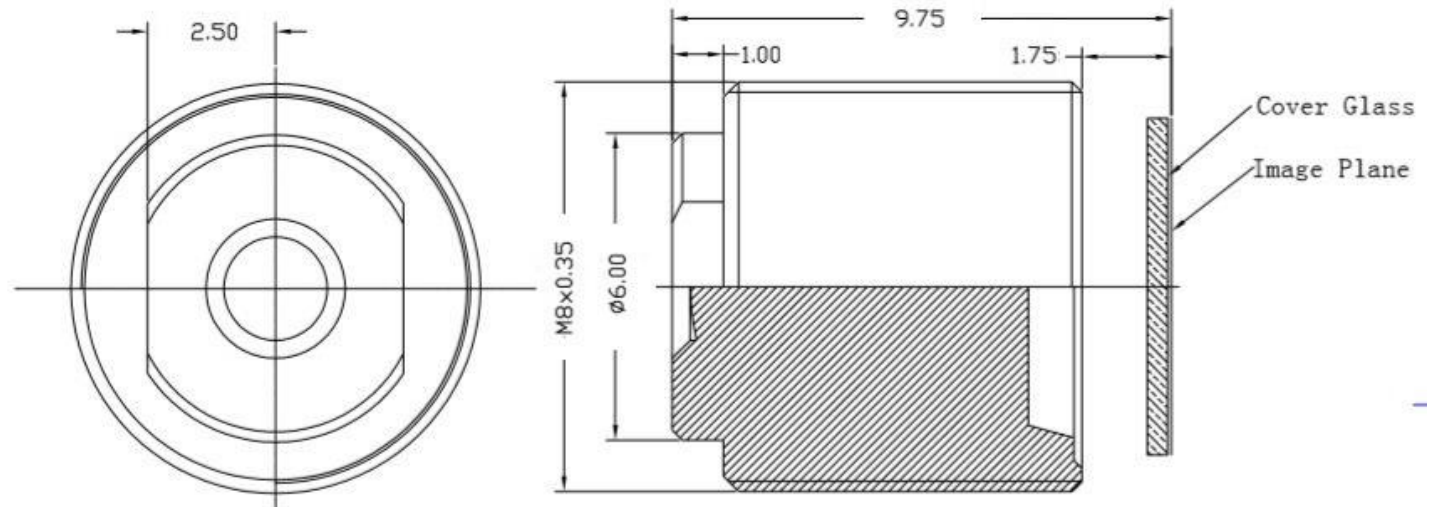


Notes:

- 1.EFL=5.87mm
- 2.F/# = 2.8
- 3.Barrel material : AL6061
- 4.Material surface color : Black.
- 5.IR bandpass filter:
400-870nm, $T_{avg} < 1.5\%$;
 $T = 50\%$ @ $900 \pm 10\text{nm}$;
925-965nm, $T_{min} > 80\%$, $T_{avg} > 90\%$;
 $T = 50\%$ @ $980 \pm 10\text{nm}$;
1010-1200nm, $T_{avg} < 1.5\%$;



DSL965E-NIR-F2.8 Mechanical Dimensions [mm]:



Notes:

- 1.EFL=5.87mm
- 2.F/# = 2.8
- 3.Barrel material:AL6061;
- 4.Material surface color:Black.