

Compact Lens for HD/HDR Sensors



Description

The DSL947 is a compact, low F/# lens designed for low light HD/HDR applications. This lens is optimized for use HD sensors with imager format up to 1/3". The all-glass design provides stable image quality over a wide temperature range.

Key Features

- Compact Size
- F/1.6 for low light and high framerate cameras
- Excellent Thermal Stability
- Optimized for HDR sensors

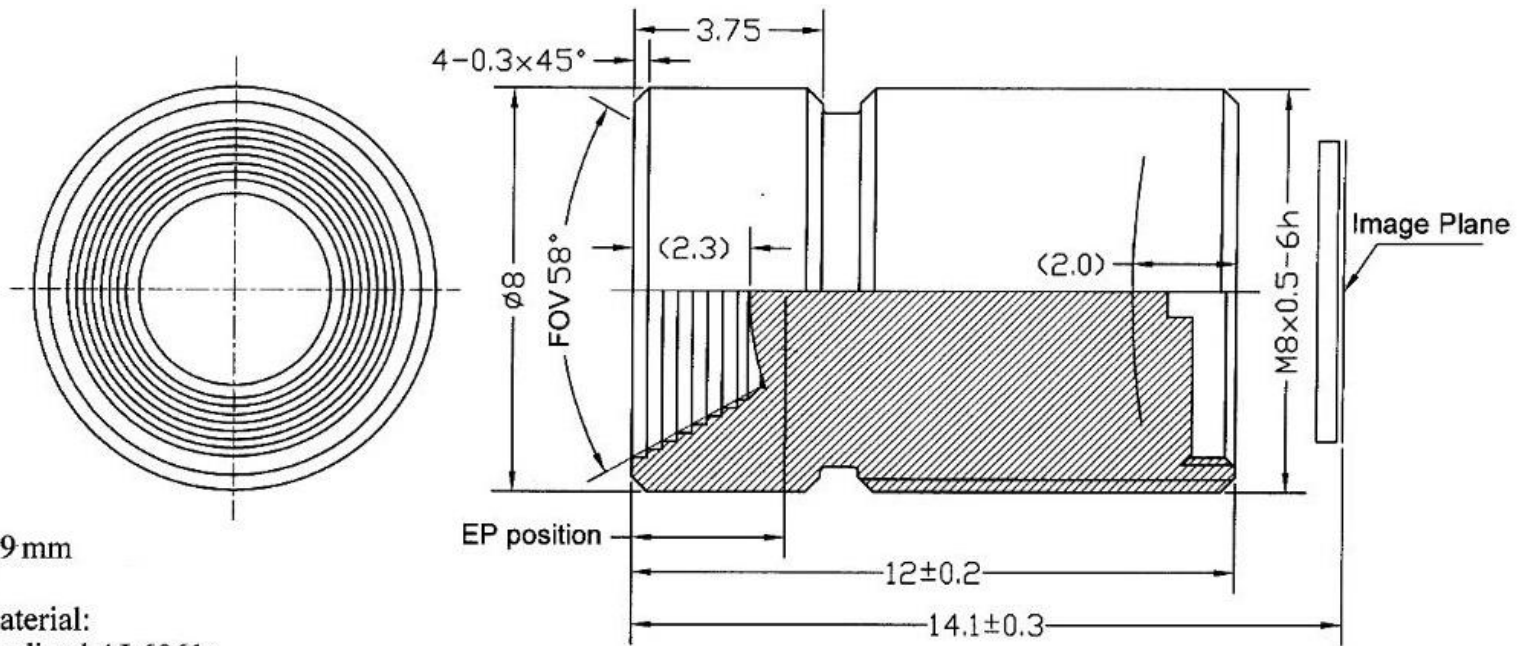
Optical Specifications

Sunex PN DSL947	
Description	Miniature HD/HDR Lens
Imager Format	1/3"
Nominal Imager Resolution	1.3MP
Focal Length	6.1mm
Relative Aperture (F/#)	F/1.6
Image Circle	6.0mm
Field of View	59° at 6.0mm image circle
Total Track Length	14.1mm
Distortion	-10% rectilinear
Chief Ray Angle	19° at 6.0mm image circle, linear
IR cut-off filter	Optional 700nm IR cutoff filter

Applications

- Automotive Forward Machine Vision (sensing)
- Automotive Mirror Replacement (CMS/eMirror)
- Computer Vision
- Police Cameras

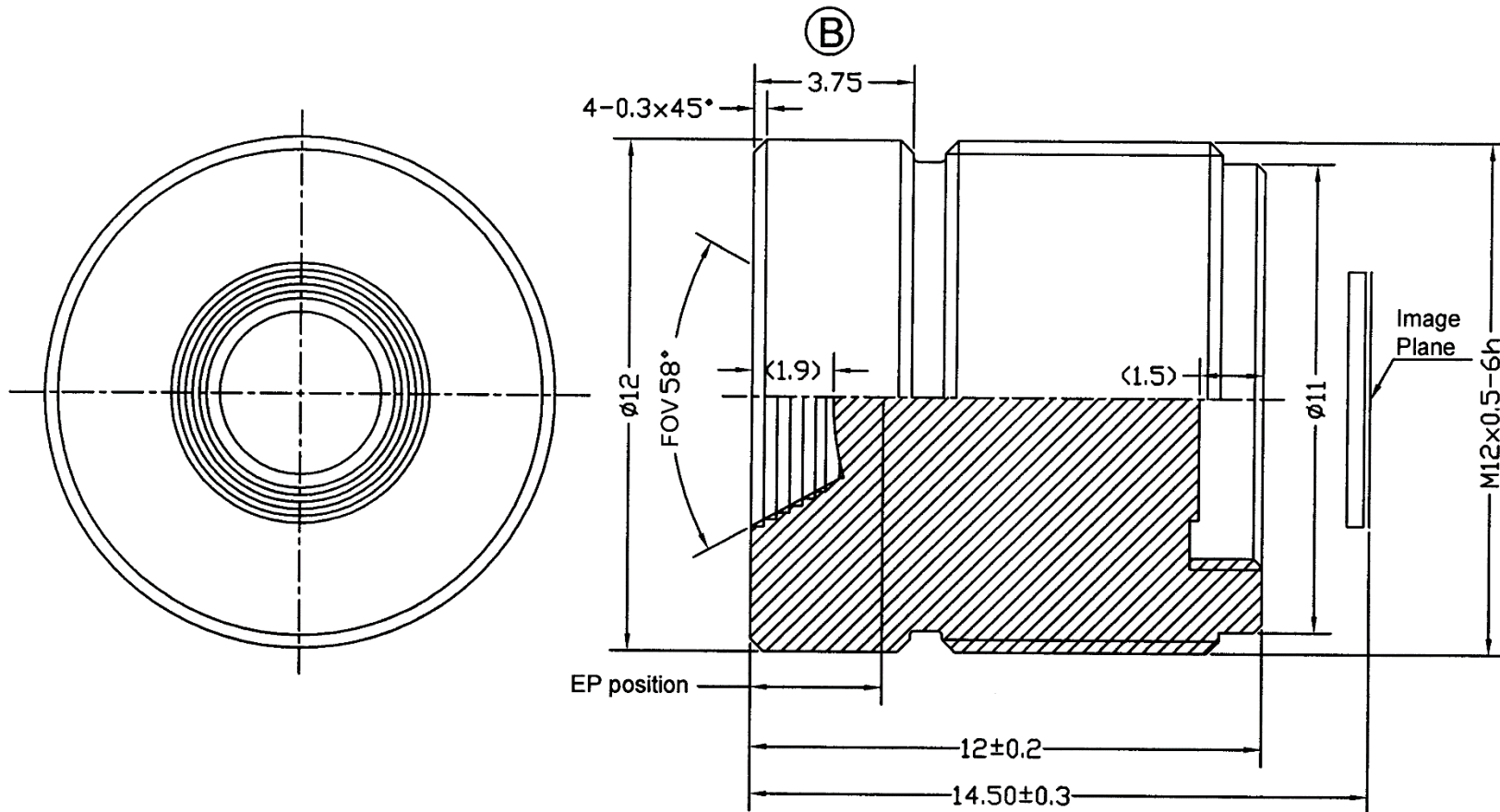
DSL947A-700-F1.6 Mechanical Dimensions [mm]:



- Note:
- 1.EFL=6.09 mm
 - 2.F#:1.64
 - 3.Barrel material:
Black anodized AL6061;
 - 4.IR filter inside:
T=50%@700± 10nm

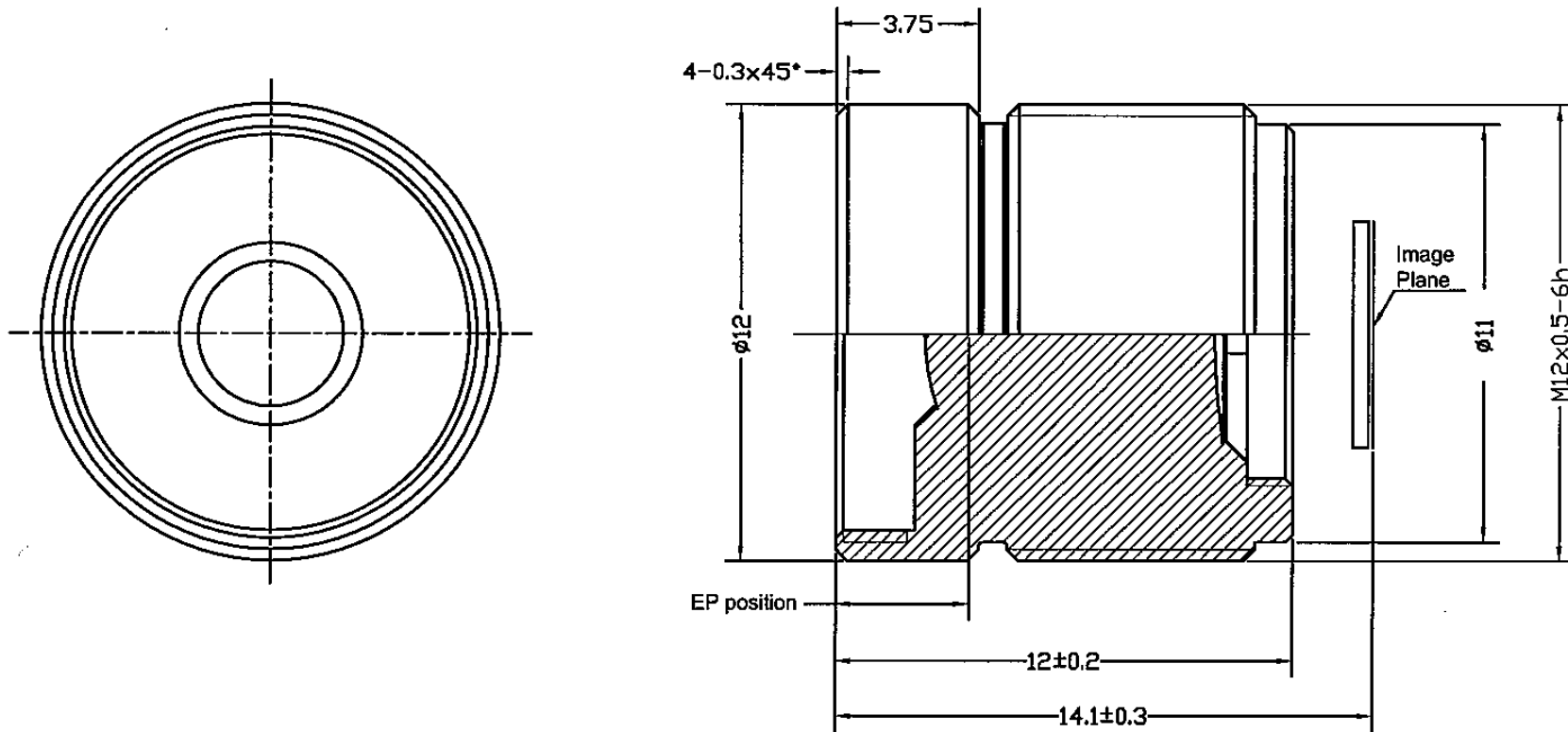
DSL947B-700-F1.6 and DSL947B-NIR-F1.6 Mechanical Dimensions [mm]:

Note: DSL947B is intended for use with Sunex CMT821, CMT107 and CMT804 mounts

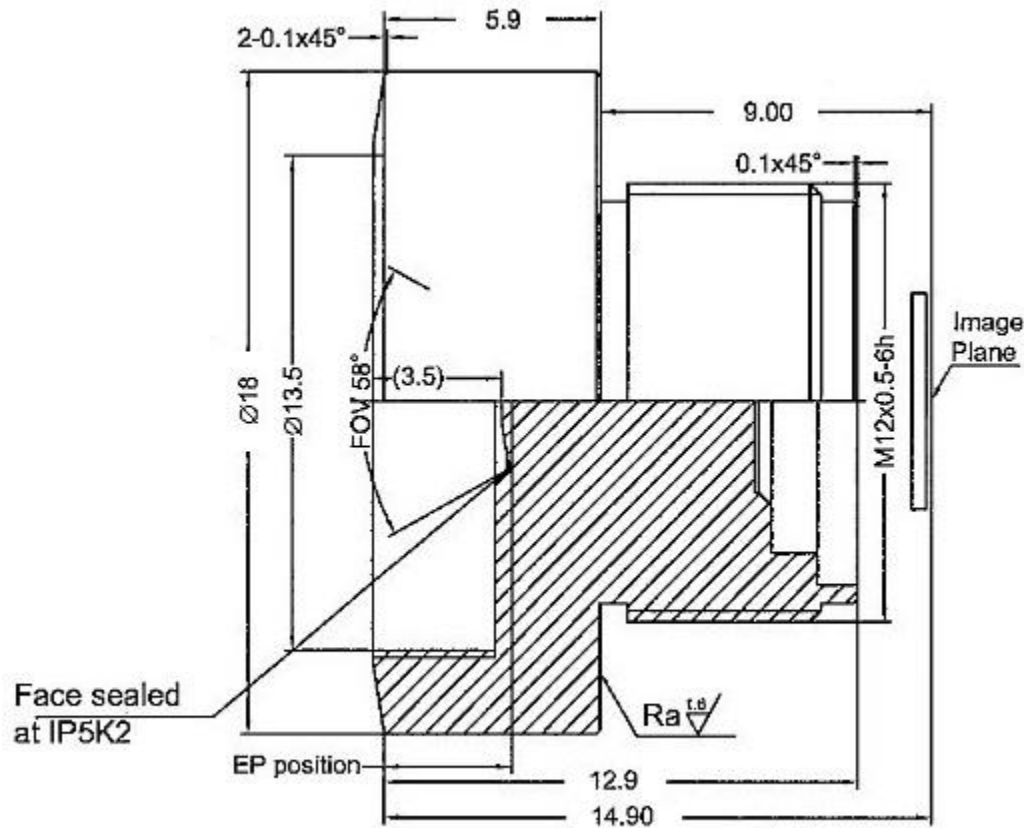


DSL947S-650-F1.6, DSL947S-650-F1.6- HP3, and DSL947S-NIR-F1.6 Mechanical Dimensions [mm]:

Note: DSL947S is intended for use with Sunex CMT821, CMT107 and CMT804 mounts



DSL947K-650-F1.6 Mechanical Dimensions [mm]:



Note:

- 1.EFL:6.06±5%;
- 2.F#:1.6±5%;
- 3.Barrel material:Black anodized AL