

### Miniature Wide-angle Lens



#### Description

DSL386 lens is a miniature Tailored Distortion™ wide-angle lens designed for use with 12-14 Megapixel 1/2" format imagers with 1.5 micron pixel pitch.

#### Key Features

- Exclusive Tailored Distortion™ technology provides a "truer" and more natural wide-angle perspective over traditional wideangle lenses.
- HDR Optimized™ for stray light and ghosting
- High image quality for HD videos.
- Hybrid design with aspheric elements
- Compact size

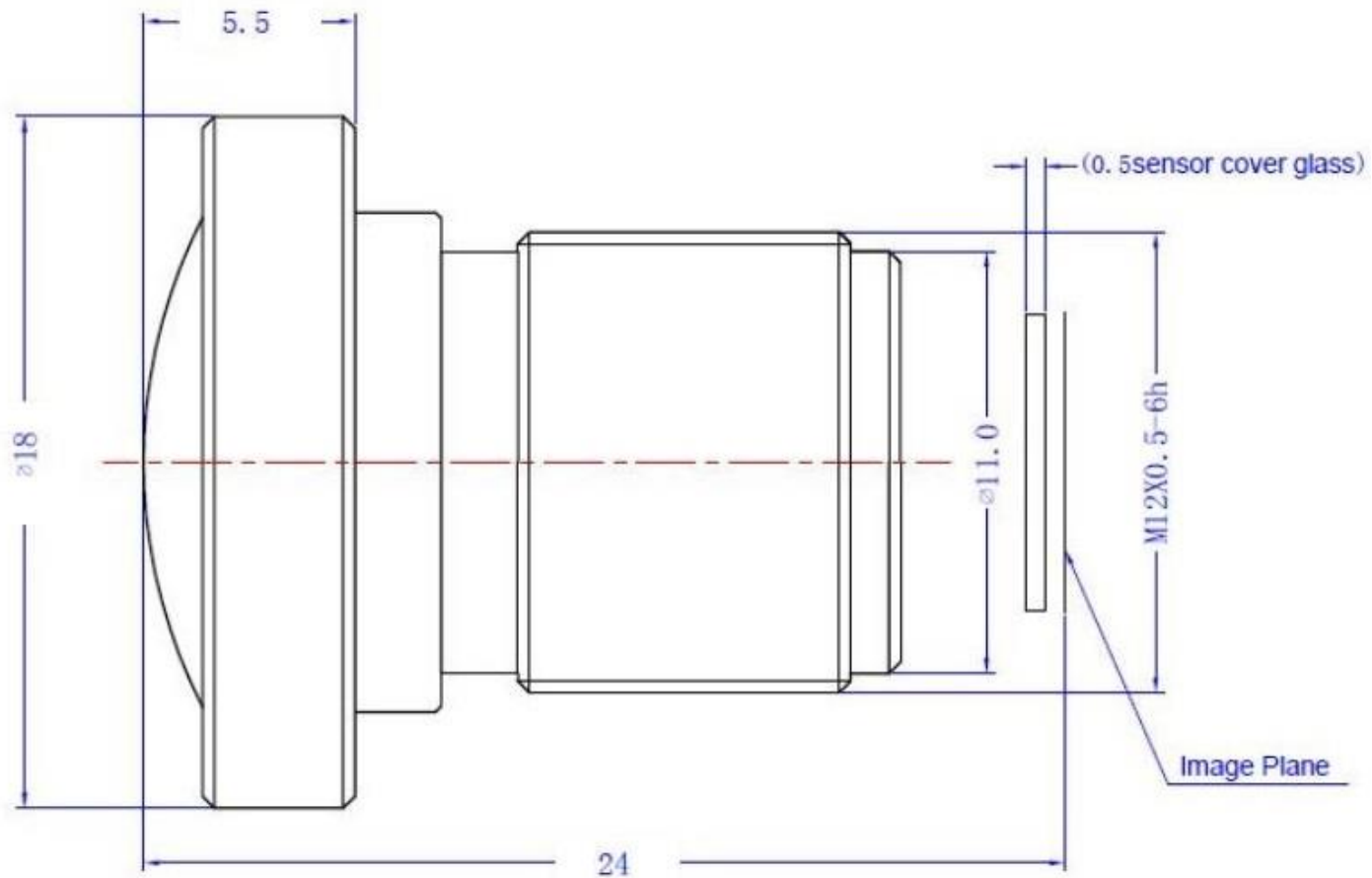
### Optical Specifications

Sunex PN DSL386	
<b>Description</b>	Miniature wide-angle lens with Tailored Distortion™
<b>Imager Format</b>	1/2"
<b>Nominal Imager Resolution</b>	12MP
<b>Focal Length</b>	2.7mm
<b>Relative Aperture (F/#)</b>	F/2.8
<b>Image Circle</b>	8.0mm
<b>Field of View</b>	DFOV=145deg@7.8mm image circle HFOV=121deg@6.2mm image circle VFOV=95deg@4.7mm image circle
<b>Total Track Length</b>	24mm
<b>Distortion</b>	+15% f-θ at 8.0 mm image circle
<b>Chief Ray Angle</b>	~14° at 8.0mm image circle
<b>IR cut-off filter</b>	Optional

#### Applications

- Sports and action cameras
- Security and surveillance cameras

### DSL386A-670-F2.8 Mechanical Dimensions [mm]:



### DSL386A-NIR-F2.8 Mechanical Dimensions [mm]:

