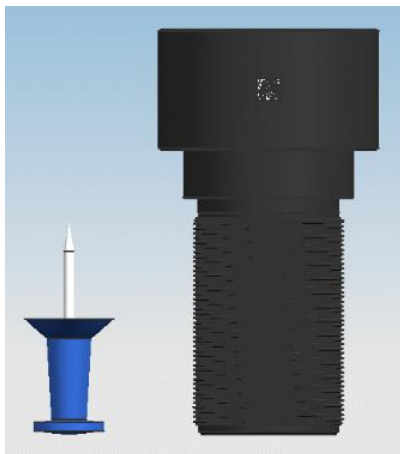


### High Resolution, Low-Light Computer Vision Lens



#### Description

The DSL331 is a fast, high resolution, narrow FOV lens with all-glass and metal construction. The high resolution, low F/# and low distortion enable a variety of computer vision applications in the Automotive, Robotics and Machine Vision markets. The all-glass and metal construction make this lens very environmentally stable.

#### Key Features

- High Resolution, Telephoto
- Low, F/2.0 aperture
- Environmentally Stable
- Low Distortion

### Optical Specifications

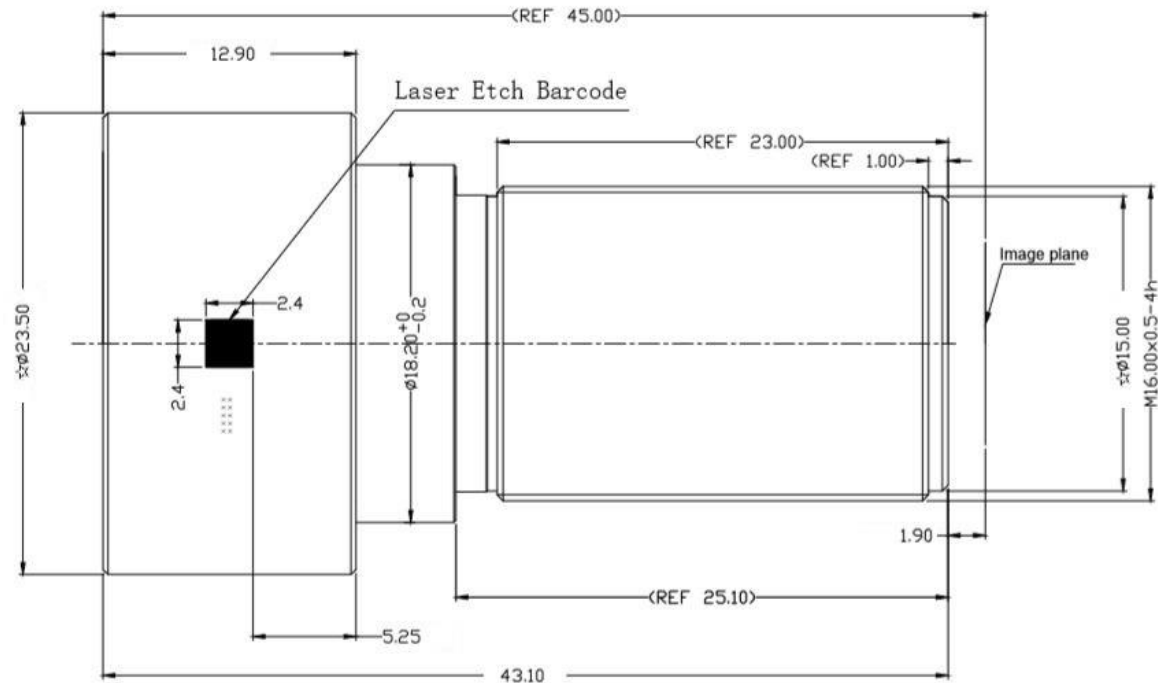
Sunex PN DSL331	
Description	High Resolution, Low F/#, Computer Vision lens
Imager Format	1/1.55"
Nominal Imager Resolution	6mp
Focal Length	19.84mm
Relative Aperture (F/#)	2.0
Image Circle	10.3mm
Field of View	29.6° at 10.3mm image circle
Total Track Length	43.10mm
Distortion (F-tan( $\theta$ ))	-1.68% at 10.3mm image circle
Chief Ray Angle	17.3° max
IR cut-off filter	Optional IR cut coating

#### Applications

- Automotive ADAS and Mobility
- CV and Robotics
- Machine Vision

### DSL331A-NIR-F2.0 and DSL331A-680-F2.0 Mechanical Dimensions [mm]:

DSL331 is intended for custom mounts – please inquire.



#### Notes:

1. EFL=19.84
2. F#=2.0
3. Barrel Material: Anodized AL6061;  
Cap Material: Anodized AL6061

### DSL331G-NIR-F2.0 and DSL331G-650-F2.0 Mechanical Dimensions [mm]:

DSL331 is intended for custom mounts – please inquire.

