

### Wide-Angle HD Lens



### Description

The DSL209 lens is a miniature wide-angle lens optimized for 1/4" format imagers with HD resolution. The wide field of view, low F-number, and f- $\theta$  distortion make this lens ideal for security and automotive applications.

### Key Features

- Wide Field of View: 123° HFOV on 1/4" imagers
- All glass elements to optimize thermal stability
- F/2.0 Aperture for excellent low light performance

### Optical Specifications

Sunex PN DSL209	
Description	Wide Angle Lens
Imager Format	1/4"
Nominal Imager Resolution	1.3MP
Focal Length	1.7mm
Relative Aperture (F/#)	F/2.0
Image Circle	4.7mm
Field of View	170° at 4.7mm image circle
Total Track Length	20.2mm
Distortion	-1.4% from F- $\theta$
Chief Ray Angle	<15° at 4.7mm image circle, linear
IR cut-off filter	Optional IR cutoff at 650nm

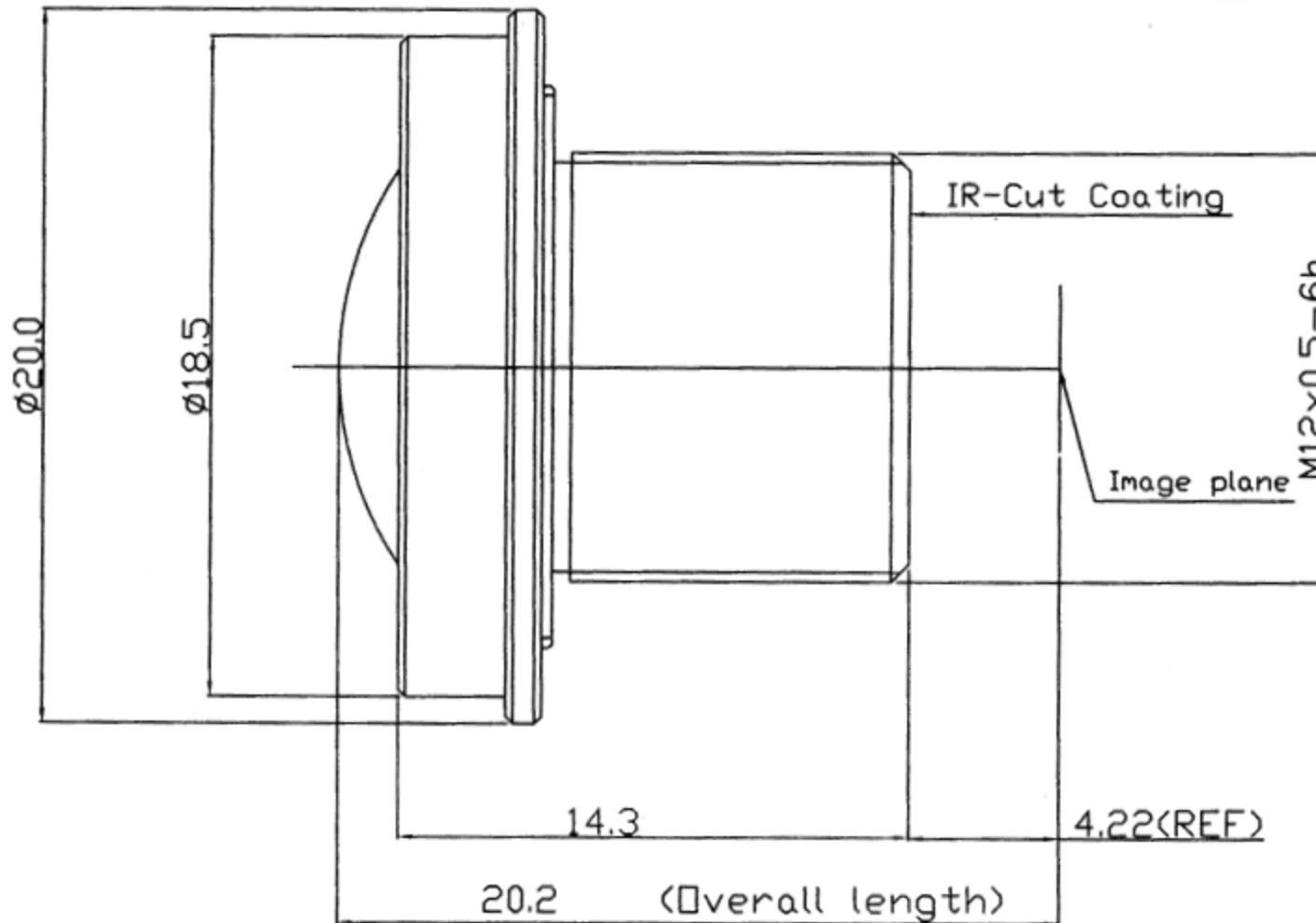
### Applications

- Rear-view Automotive
- Security and Surveillance
- Robotics

Excellence in Digital Imaging Optics

### DSL209A-650-F2.0 and DSL209A-NIR-F2.0 Mechanical Dimensions [mm]:

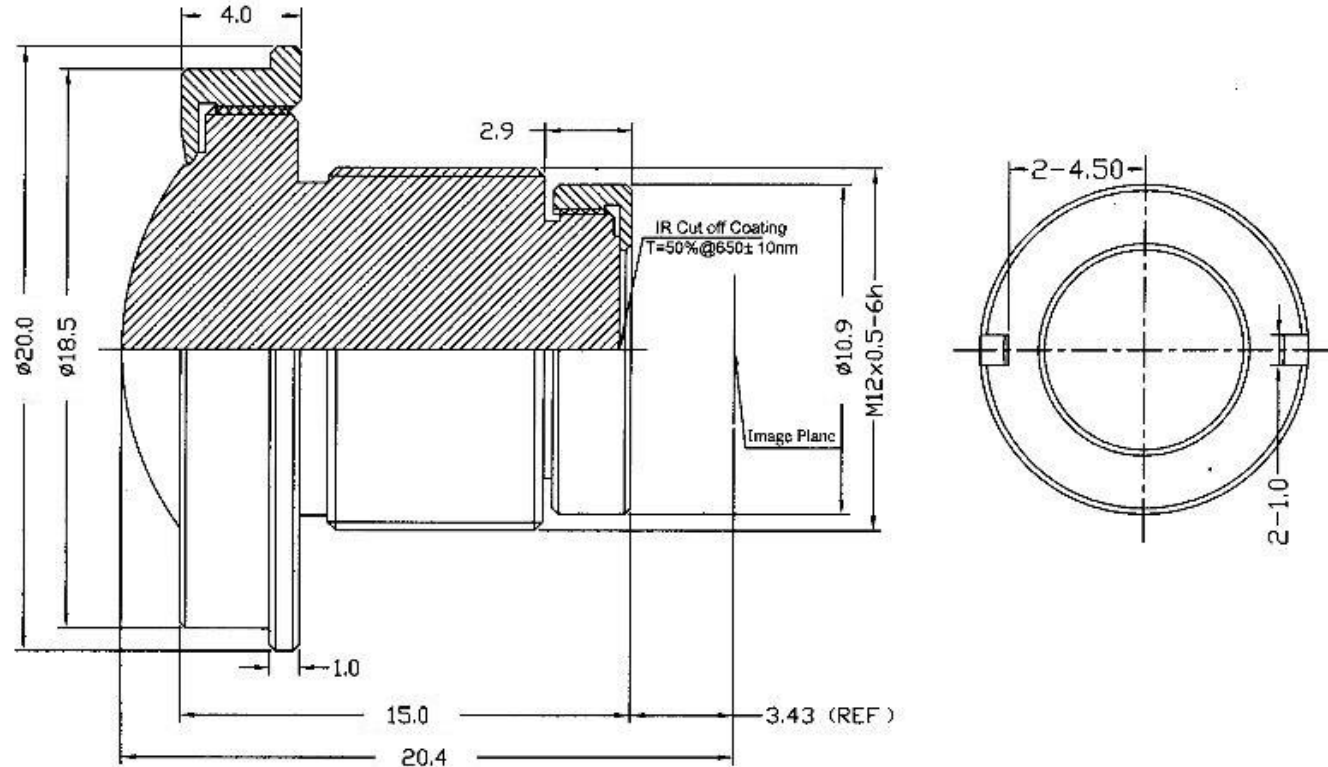
Note: DSL209A is intended for use with Sunex CMT821 or CMT804 lens mounts



SUBJECT TO CHANGE WITHOUT NOTICE

**Sunex, Inc.**  
Telephone: +1 760 597 2966  
www.sunex.com

DSL209K-650-F2.0-HP3 Mechanical Dimensions [mm]:



Note:

1.EFL: 1.68

2.F/#: 2.0

3.Barrel: AL6061

4.IR-Cut Coating: T=50%@650±10nm